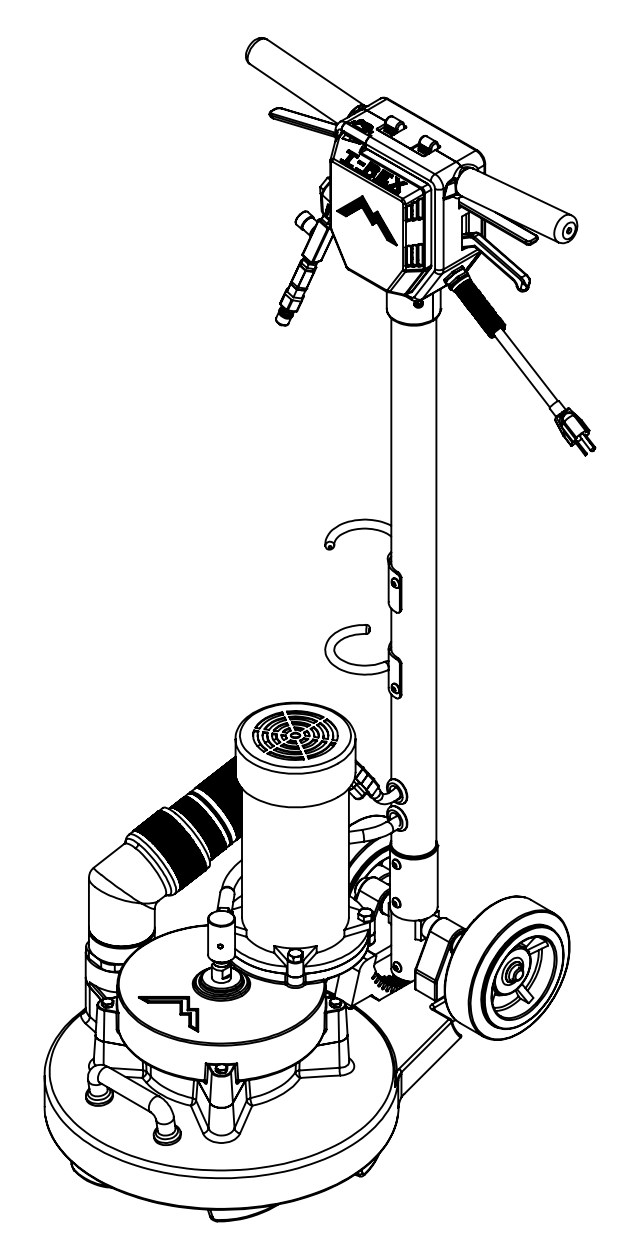


ITEM NO.	PART NO.	DESCRIPTION	QTY.
1	H341	handle pivot, floor machine	1
2	H089	axle, 9.63" x .50" dia	1
3	H267	pivot support, t-rex	2
4	H065	bushing, sleeve, 5/8 i.d. x 1.25" long	2
5	H066	bolt, shoulder 5/8" x 1.25", 1/2-13 thrds	2
6	H427	washer, wave	2
7	H665	wheel, 6" dia, 2" width, 1/2 axle	2
8	H219	cap, axle, 1/2"	2
9	H157	spring, handle adjustment	1
10	H847	bushing, locking piston	1
11	H152	retaining ring, internal 1 1/2"	1
12	H844	locking piston, handle adj.	1
13	H148	washer, 5/16", narrow	7
14	H843	locking arc, handle adj, floor machine	1
15	H421	washer, 5/16" lock, s/s	10
16	H151	bolt, 5/16-18 x 3/4" Long SHCS	10
17	H705	bolt, giude, locking piston	1
18	A102	assembly, cleaning head, TRex	1
19	G014	seal, felt, T-REX	1
20	H126	plate, seal, head/ bell housing	1
21	P516	bell housing and chasis, t-rex	1
22	H768	bolt, 1/4-20 x 3/4" serrated hex flange, zinc	2
23	H485	handle, aluminim grip, black	1
24	G023	o-ring, transmission,, TRex JR	1
25	C311	motor & transmission, 1 hp, TRex	1
26	B139	rotary union	1
27	P517	vacuum sight tube w/ 2" fw mpt Cuff-Lynx	1
28	H230	screw, 10-32 x 1/2" phil pan head, s/s	7
29	H882	screw, 8 x 3/4 phil pan head, type a, s/s	2
30	P501	cover, controller board, t-rex	1
31	E382	pcb speed control	1
32	H258	switch box, T-REX	1
33	P574	knob, clear plastic, t-rex potent	1
34	E363	potentiometer, slide	1
35	B101	qd, brass, 1/4" m	1
36	B247	filter, in-line, 100 mesh, 1/4" mpt x fpt	1
37	B194	nipple, hex, 1/4" mpt x 1/8" mpt	2
38	B237A	valve, flow, 1/8"	1
39	B100A	swivel, high pressure, stainless steel	1
40	B130	45 deg, street elbow, brass, 1/4" male	1
41	B133-A	valve, brass, K, w/ trigger for wands	1
42	B103	elbow, brass, 90 deg, 1/4"mpt x 1/4" fpt	1
43	H136	Cuff-Lynx, 2" hose x 2" male swivel Cuff-Lynx	1
44	AH110	sol hose, 1/4" x 48" (OAL)	1
45	H054	bolt, 3/8-16 x 1-1/4", hex head	4
46	H169	bolt, 1/4-20 x 2", hex head	4
47	H215	nut, hex, 1/4-20 s/s	1
48	H164	grommet, 5/8" ID	2
49	E349	cord, female 38', 14/3 IEC320C13 plug	1
50	H247A	hook, hose restraint, T-REX	2
51	H047	screw, 1/4-20 x 1/2", button, s/s, blk oxide	10
52	H159	cable, handle adj, floor machine	1

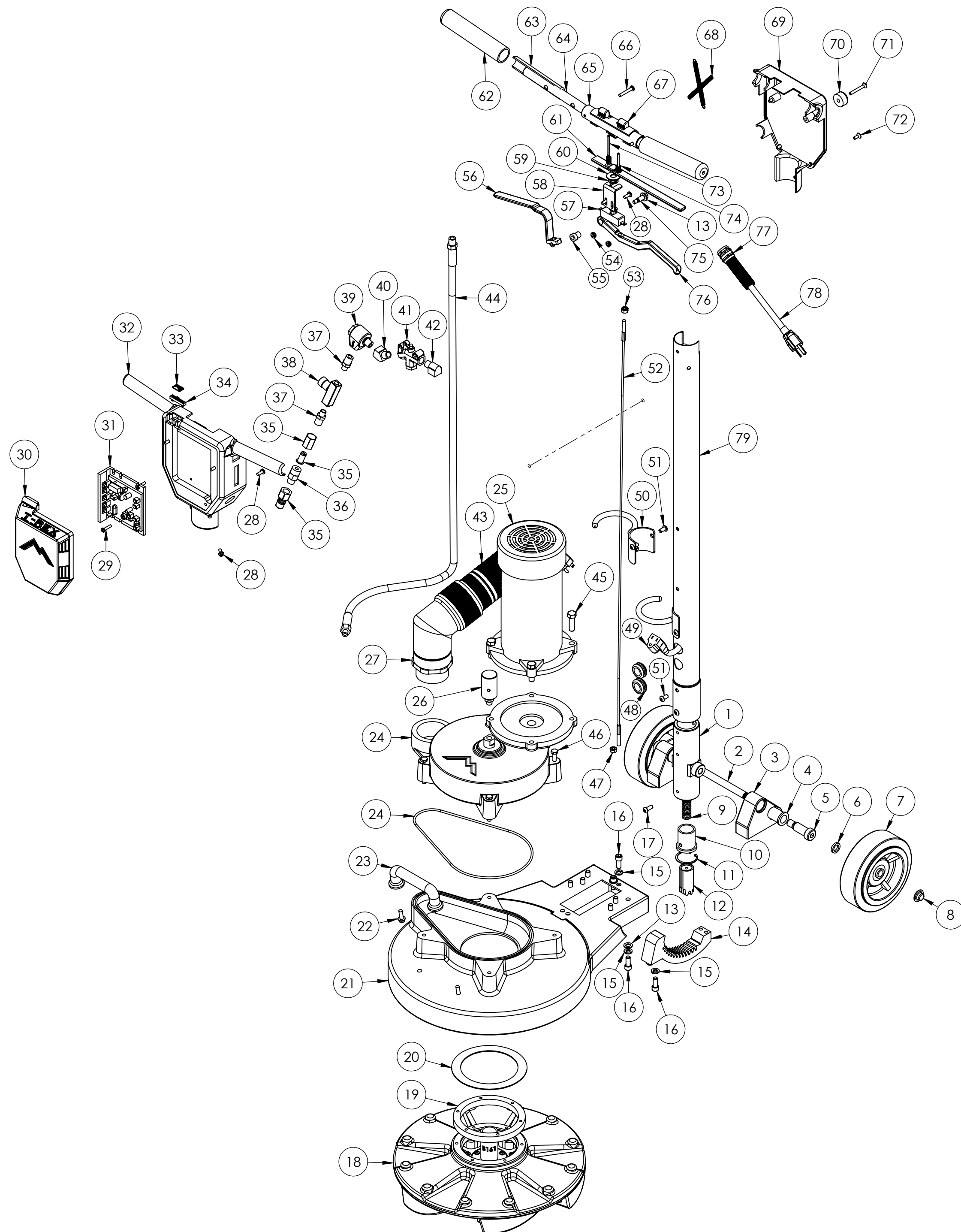
ITEM NO.	PART NO.	DESCRIPTION	QTY.
53	H216	nut, lock, 1/4-20, nylon insert, s/s	1
54	H458	nut, lock, 10-32, thin pattern	2
55	P529	spacer, lever, handle adj.	1
56	H257	lever, solution, T-REX	1
57	H167	switch, floor machine	1
58	H127	bracket, mount, switch	1
59	H640	washer, internal star, 3/8" zinc	1
60	H384	washer, 3/8 flat, s/s	1
61	H263	lever, switch, T-REX	1
62	G040	grip, handle, floor machine	2
63	P522	handle, back half, T-REX	2
64	H261-B	handle, reinforcement, side, T-Rex	2
65	H261-A	handle, reinforcement, center, T-Rex	1
66	H222	screw, 10-32 x 1-1/4" phil pan head, s/s	2
67	P541	lockout, floor machine	1
68	H168	spring, lockout, floor machine	2
69	H260	cover, switch box, T-REX	1
70	G087	bumper w washer	2
71	H017	screw, 10-32 x 1.5", FHSCS, s/s	2
72	H018	screw, 10-32 x 1/2", FHSCS, s/s	3
73	H161	roll pin, 1 3/4" x 1/8"	2
74	H160	spring, switch/lever	2
75	H149	bolt, 5/16" shldr x 5/8" w/ 1/4-20 thrd	1
76	H839	lever, handle adj., floor machine	1
77	H144	strain relief, power cord, metal	1
78	E384	power cord, end, 15.5", 14/3	1
79	H249B-ss	tube, t-rex	1

**ITEMS NOT SHOWN**

PART NO.	DESCRIPTION	QTY.
ADM-TREX	manual, TRex	1
H051	wrench, flat, 5/8"	1
H053	tool, star removal	1
E617A	25' extension cord, 16/3, black	1
P576	star protector	1
P568A	cord lock, S-type	1
PH648	lubricant, teflon oil, tube	1



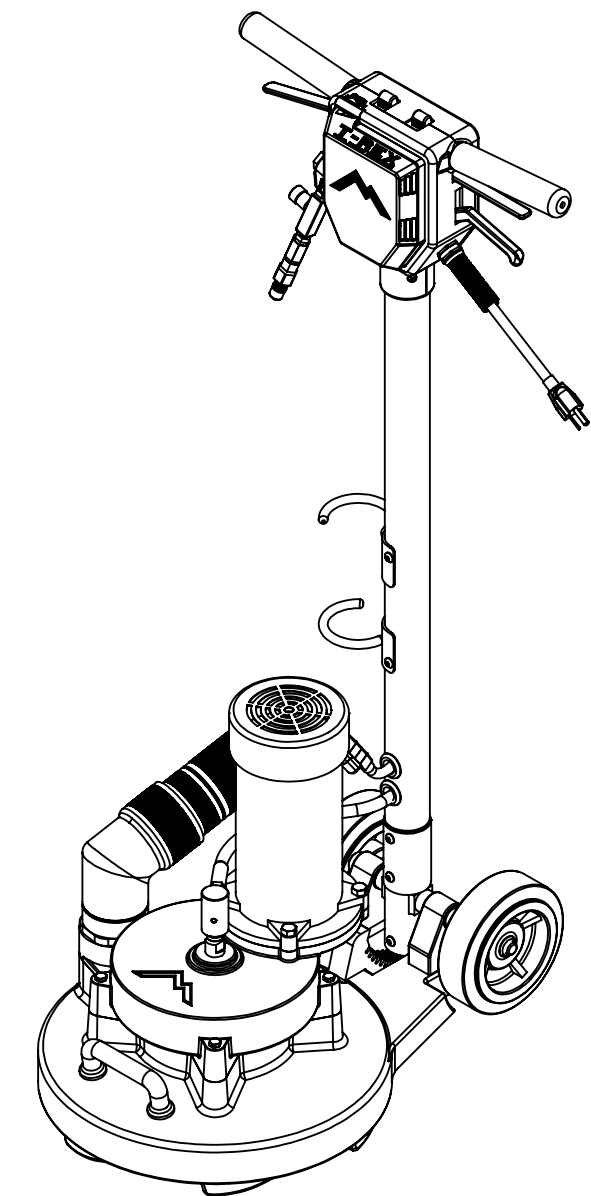
NAME \_\_\_\_\_ DATE \_\_\_\_\_  
 DRAWN M.LoBarbera 8/2013  
 CHECKED \_\_\_\_\_  
 TITLE: **MYTEE PRODUCTS, INC.**  
 858-679-1191  
**T-Rex**  
 PROPRIETARY AND CONFIDENTIAL  
 THE INFORMATION CONTAINED IN THIS DRAWING IS THE SOLE PROPERTY OF MYTEE PRODUCTS, INC. ANY REPRODUCTION IN PART OR AS A WHOLE WITHOUT THE WRITTEN PERMISSION OF MYTEE PRODUCTS, INC. IS PROHIBITED.  
 SIZE DWG. NO. **C T-Rex C**  
 SCALE: 1:24 DO NOT SCALE DRAWING SHEET 1 OF 3



	NAME	DATE	<b>MYTEE PRODUCTS, INC.</b>	
DRAWN	M.LaBarbera	8/2013	858-679-1191	
CHECKED			TITLE:	
COMMENTS:			<b>T-Rex</b>	
<b>PROPRIETARY AND CONFIDENTIAL</b>			SIZE	DWG. NO.
THE INFORMATION CONTAINED IN THIS DRAWING IS THE SOLE PROPERTY OF MYTEE PRODUCTS, INC. ANY REPRODUCTION IN PART OR AS A WHOLE WITHOUT THE WRITTEN PERMISSION OF MYTEE PRODUCTS, INC. IS PROHIBITED.			<b>C</b>	<b>T-Rex</b>
			SCALE: 1:24	DO NOT SCALE DRAWING
			SHEET 2 OF 3	

**REVISIONS**

REV.	DESCRIPTION	DATE	APPROVED
OD	ORIGIANL DRAFT	3/28/2014	ML
A	E349 REPLACES E350	12/22/2014	ML
B	ADDED ELBOW ADAPTOR	4/21/2015	ML
C	ADDED H247A and H047	11/2/2015	ML



	NAME	DATE	<b>MYTEE PRODUCTS, INC.</b> 858-679-1191		
DRAWN	M.LoBarbera	8/2013	TITLE:		
CHECKED			<b>T-Rex</b>		
<p><b>PROPRIETARY AND CONFIDENTIAL</b></p> <p>THE INFORMATION CONTAINED IN THIS DRAWING IS THE SOLE PROPERTY OF &lt;INSERT COMPANY NAME HERE&gt;. ANY REPRODUCTION IN PART OR AS A WHOLE WITHOUT THE WRITTEN PERMISSION OF &lt;INSERT COMPANY NAME HERE&gt; IS PROHIBITED.</p>			SIZE	DWG. NO.	REV
			<b>C</b>	<b>T-Rex</b>	<b>C</b>
			SCALE: 1:24	DO NOT SCALE DRAWING	SHEET 3 OF 3