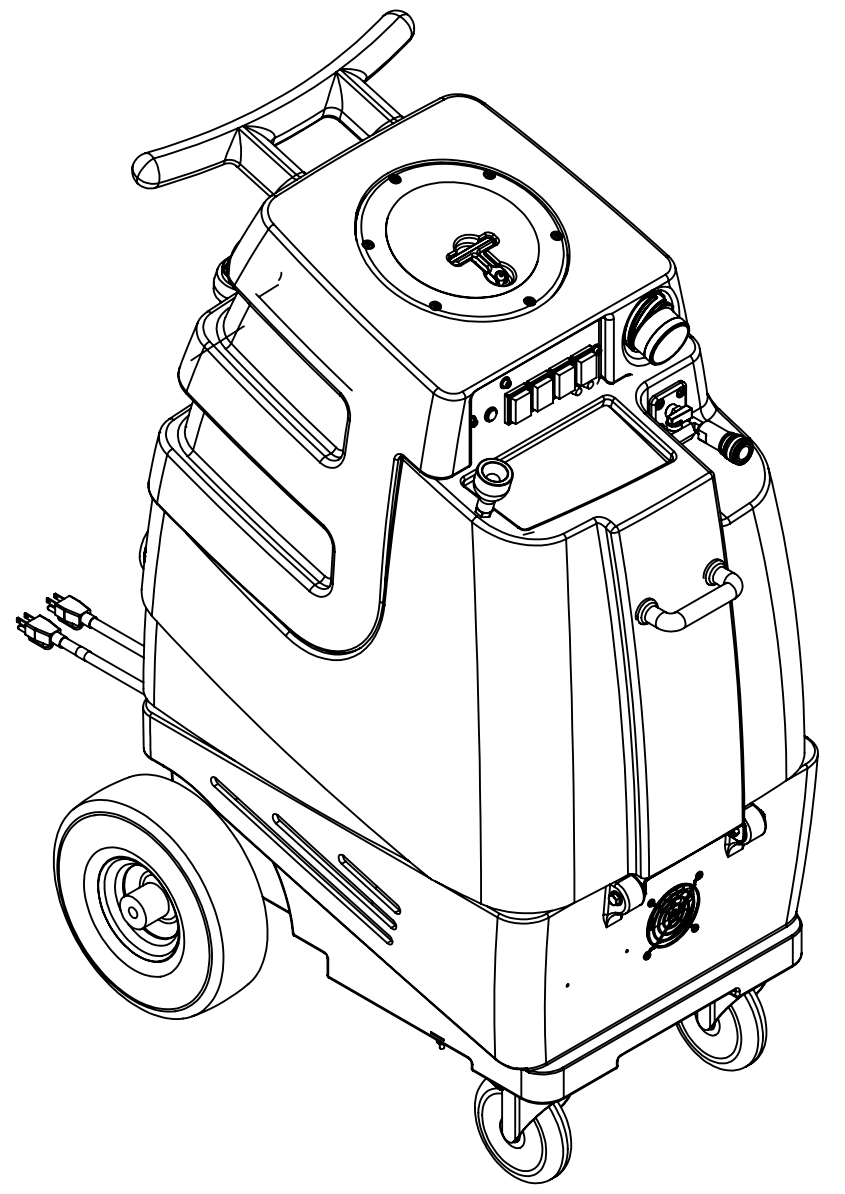


ITEM NO.	PART NO.	DESCRIPTION	QTY.
1	H304	screw, #8 x 5/8 phil oval, s/s	14
2	H296	guard, cooling fan, wire	2
3	H216	nut, lock, 1/4-20, nylon insert, s/s	10
4	H210	washer, 1/4" flat, s/s	22
5	H342	bolt, 1/4-20 x 1" hex head, s/s	8
6	H666	caster, 5", Black hub & gray tread	2
7	P731	base	1
8	H371	axle, 18.03" x .50" dia	1
9	H254	washer, axle, cut 1/2" id	8
10	H109	wheel, 10", foam filled	2
11	H042	c-clip, 12mm, external	2
12	AH184	sol hose, pulse, 3/8" x 14.5" fsw x 1/4 fpt	1
13	AH156	hose, 3/8", (OAL), f x fs, 5400 gray	1
14	B103	elbow, brass, 90 deg, 1/4"mpt x 1/4" fpt	2
15	H256	screw, 10-32 x 3/4" phil pan head, zinc	6
16	H528	bracket, heater mounting, dual	1
17	E519	heating rod, 1000W, 115V	2
18	B142A	coupling, brass, 1/4" fpt x 1/4" fpt	2
19	B108	valve, brass, 1/4" check	1
20	H274	screw, 6 x 3/16, phil pan head, self-tapping	10
21	H903A	heater, aluminum cast, single	2
22	E573	Thermostat, 200°, Auto, 1/4"	2
23	E574	Thermostat, 310°F ± 10°F, Manual, 1/4"	2
24	AH120	sol hose, 28" x 1/4", 1/4 fpt	2
25	H876	washer, 1/2 flat, s/s	4
26	H221	nut, lock, 1/2" steel	2
27	H220	fitting, strain relief, cord	2
28	E550	power cord, pigtail, 30", 12/3, black	2
29	PH615-26	sol hose, 1/2" kuri 100psi	1
30	B160	adapter, brass, 1/2" barb x 3/8" fsw, ball end	1
31	B186	elbow, brass, 90 deg, 3/8"mpt x 3/8" fmpt	1
32	B652	elbow, brass, 90 deg, 3/8"mpt x 1/4"mpt	1
33	H299	washer, 11/16" id x 1-1/2" od x .075, s/s	4
34	H222	screw, 10-32 x 1-1/4" phil pan head, s/s	4
35	C322D	pump, 220psi, diaphragm, 115V	1
36	B172	elbow, brass, 90 deg, 1/2" barb x 3/8"mpt	1
37	B173	ferrule, 1/2", brass	2
38	H273	nut, kep, #10-32 zinc	8
39	H912	bracket, rear, fb/spy	1
40	H770	bolt, 1/4-20 x 1/2" serrated hex flange, zinc	8
41	H307	washer, star, 1/4" steel zinc	2
42	G052	washer, buna 1-1/8" od x 3/16" id	6
43	H211	washer, 1/4" id x 1" od, flat, s/s	6
44	H203	bolt, 1/4-20 x 1-1/4"	2
45	H124	Cuff-Lynx, 2" mpt x 2" female cuff	2
46	H194	coupler, 2" dia x 2.5" length, s/s	2
47	H217	clamp, hose, 2-1/4 dia	4
48	PH628-15	vac hose, 2", wire reinforced	2
49	H213	washer, 1/4" lock, s/s	10
50	H215	nut, hex, 1/4-20 s/s	2
51	PH612-60	clear tubing, 1/2" OD x 3/8" ID, faucet fill	1
52	G018	cover, sol tank (sp)	1
53	H178	faucet fill	1
54	B241	adapter, brass, 3/8" barb x 1/4"mpt	1
55	P732	sol tank	1
56	H768	bolt, 1/4-20 x 3/4" serrated hex flange, zinc	2
57	B107	nipple, brass, 1/4"m, hex	2
58	H484	plate, mounting, QD	1
59	B135	tee, brass, 1/4" mpt	1
60	B102	qd, brass, 1/4" f x 1/4" fpt	1
61	B656	ball valve, 1/4"	1
62	B109	adapter, brass, 1/4" barb x 1/4" mpt	1

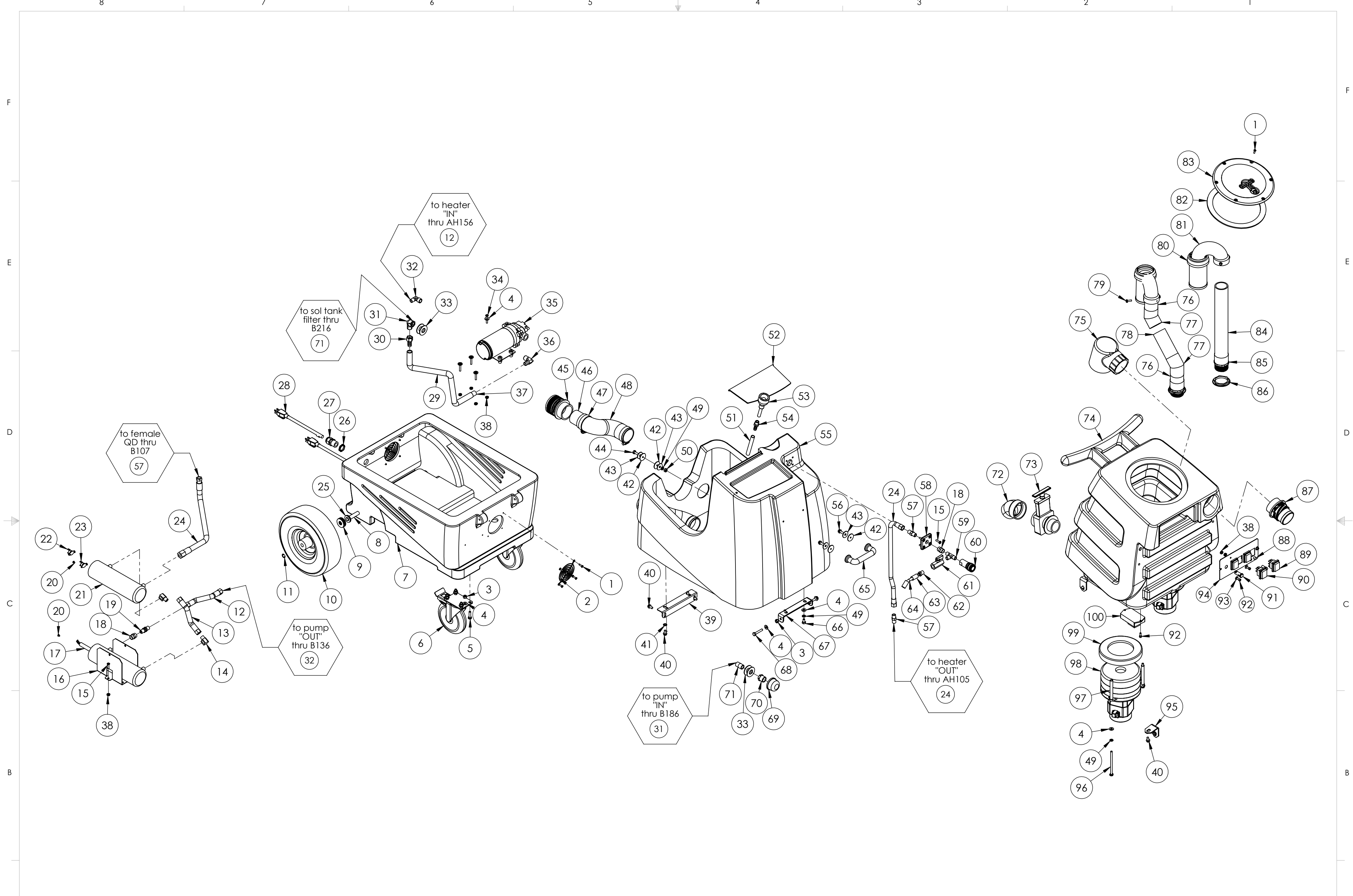
ITEM NO.	PART NO.	DESCRIPTION	QTY.
63	B170	ferrule, 1/4" brass	2
64	PH634-20	sol hose, 1/4", silicone braided, clear	1
65	H485	handle, aluminum grip, black	1
66	H201	bolt, 1/4-20 x 1/2", hex head, zinc	2
67	H378	bracket, front hinge, sp/fb	1
68	H316	bolt, 1/4x1-1/2", hex head zinc	2
69	B119A	filter, strainer, 1/2"	1
70	B210	bushing, brass, 1/2"mpt x 3/8" fpt, hex	1
71	B216	nipple, brass, 3/8" x close	1
72	H226	spout, drain, 45 degree	1
73	H225	valve, drain, 1-1/2"	1
74	P733	vac tank	1
75	A926	elbow, inlet assembly 2"	1
76	PH633-3	pipe, pvc, 1-1/2"	2
77	P503	adapter, 1.5" pvc, 45 deg, fslip x fslip	2
78	PH633-5	pipe, pvc, 1-1/2"	1
79	H343	screw, 10 x 5/8" hex head, zinc	6
80	H490	float, 2" / 1.5" ball style	2
81	P755	elbow, U, 180, 1-1/2", float	2
82	G091	gasket, 7", vac lid	1
83	G090	lid, vac tank, clear, 7"	1
84	PH633-12	pipe, pvc, 1-1/2"	1
85	P520	adapter, pvc, 1-1/2" mpt x 1-1/2" fms	2
86	H314	nut, lock, 1-1/2", steel	2
87	H135	Cuff-Lynx, 2" m cuff x 2" mpt	1
88	E511	light, red, 250v	2
89	E516	switch, rocker, 3 position	1
90	E515	switch, rocker, 2 position	3
91	E512B	light, indicator, 125v (amber)	1
92	H389	screw, 10-32 x 1/2" SHCS, alloy	4
93	H612	Washer, #8, flat regular	3
94	H348	plate, switch, 1000DX-200	1
95	H390A	bracket, "L"	2
96	H096	bolt, hex, 1/4-20 x 4", zinc Finish	6
97	H503	vac support, 3 stage, 3.25", no thrds	6
98	C302LA	vac motor, 3 stage, low amp	2
99	G004	gasket, vacuum motor	2
100	E564	controller, circuit light	1

ITEMS NOT SHOWN

PART NO.	DESCRIPTION	QTY
A996	harness, electrical	1
G008	piglet filter	1
H375	hanger, wire formed, hose	1
H230	screw, 10-32 x 1/2" phil pan head, s/s	2
H141	Cuff-Lynx, 2" x 1.5" reducer	1
H110	Cuff-Lynx, 2" hose x 2" fem swivel Cuff-Lynx	1
E530	power cord, ext 50', 12/3 black	2
P568A	cord lock, s-type	2
P590	cuties, 1/4" qd, standard pack of 2	1



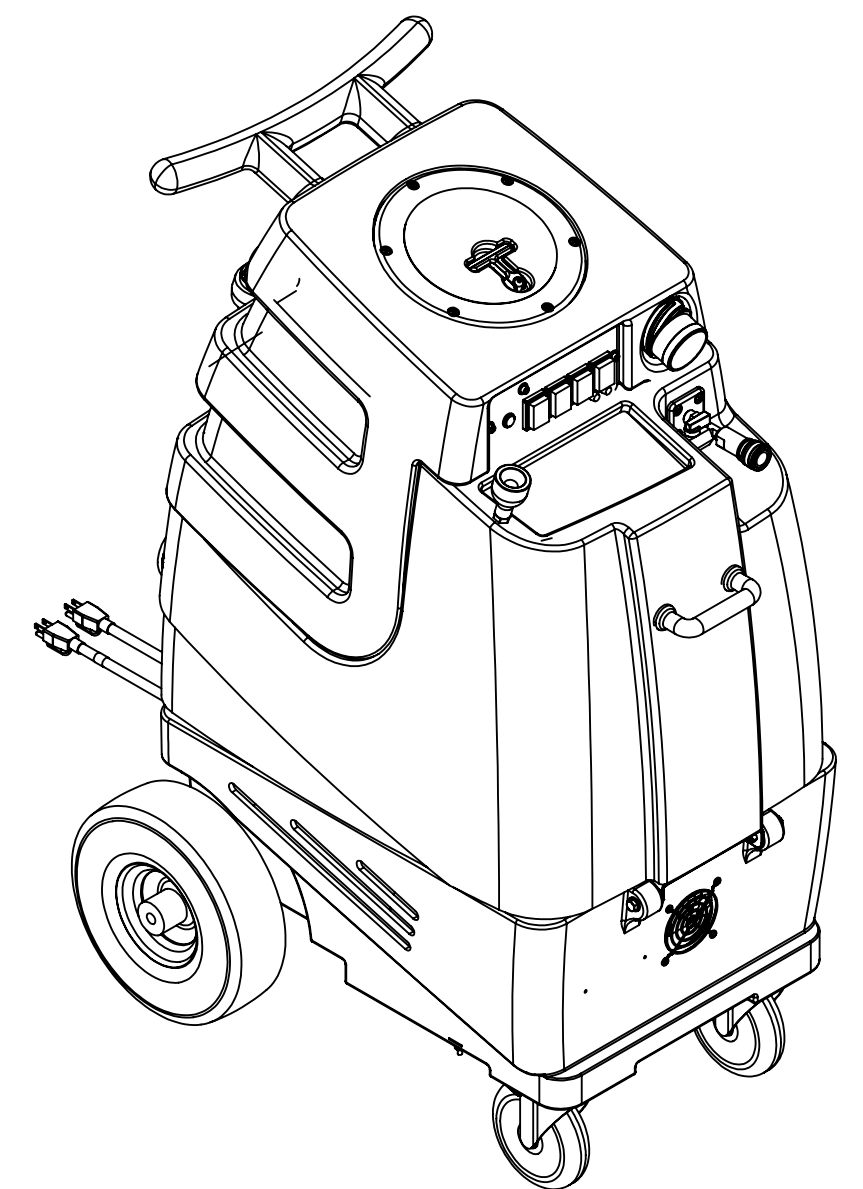
NAME	DATE	MYTEE PRODUCTS, INC. <small>858-679-1191</small>
DRAWN M. LaBarbera	10/2013	
CHECKED		
<small>PROPRIETARY AND CONFIDENTIAL</small> <small>THE INFORMATION CONTAINED IN THIS DRAWING IS THE SOLE PROPERTY OF MYTEE PRODUCTS, INC. ANY REPRODUCTION IN PART OR AS A WHOLE WITHOUT THE WRITTEN PERMISSION OF MYTEE PRODUCTS, INC. IS PROHIBITED.</small>		TITLE: <h1>speedster</h1>
SIZE	DWG. NO.	REV
C	1001DX-200	G
SCALE: 1:48	DO NOT SCALE DRAWING	SHEET 1 OF 3



	NAME	DATE	MYTEE PRODUCTS, INC. 858-679-1191		
DRAWN	M.LaBarbera	10/2013			
CHECKED			TITLE:		
PROPRIETARY AND CONFIDENTIAL THE INFORMATION CONTAINED IN THIS DRAWING IS THE SOLE PROPERTY OF MYTEE PRODUCTS, INC. ANY REPRODUCTION IN PART OR AS A WHOLE WITHOUT THE WRITTEN PERMISSION OF MYTEE PRODUCTS, INC. IS PROHIBITED.			speedster		
			SIZE	DWG. NO.	REV
			C	1001DX-200	G
			SCALE: 1:48	DO NOT SCALE DRAWING	SHEET 2 OF 3

REVISIONS

REV.	DESCRIPTION	DATE	APPROVED
OD	ORIGINAL DRAFT	-	JFL
A	REPLACED G003 W G022	8/2013	JFL
B	REPLACED H033 W H342, ADDED H210 & H216	10/8/2013	JFL
C	G021 REPLACED W G097	10/22/2013	JFL
D	REPLACED G022 W G003	7/29/2014	ML
E	REPLACED H219 W H042	8/8/2014	ML
F	ADDED B241	4/16/2015	ML
G	REMOVED ELECTRONIC FLOAT	3/8/2016	ML



	NAME	DATE	MYTEE PRODUCTS, INC. <small>858-679-1191</small>		
DRAWN	M. LaBarbera	10/2013			
CHECKED			TITLE: speedster		
<p>PROPRIETARY AND CONFIDENTIAL</p> <p>THE INFORMATION CONTAINED IN THIS DRAWING IS THE SOLE PROPERTY OF MYTEE PRODUCTS, INC. ANY REPRODUCTION IN PART OR AS A WHOLE WITHOUT THE WRITTEN PERMISSION OF MYTEE PRODUCTS, INC. IS PROHIBITED.</p>					SIZE
			C	1001DX-200	G
			SCALE: 1:48	DO NOT SCALE DRAWING	SHEET 3 OF 3