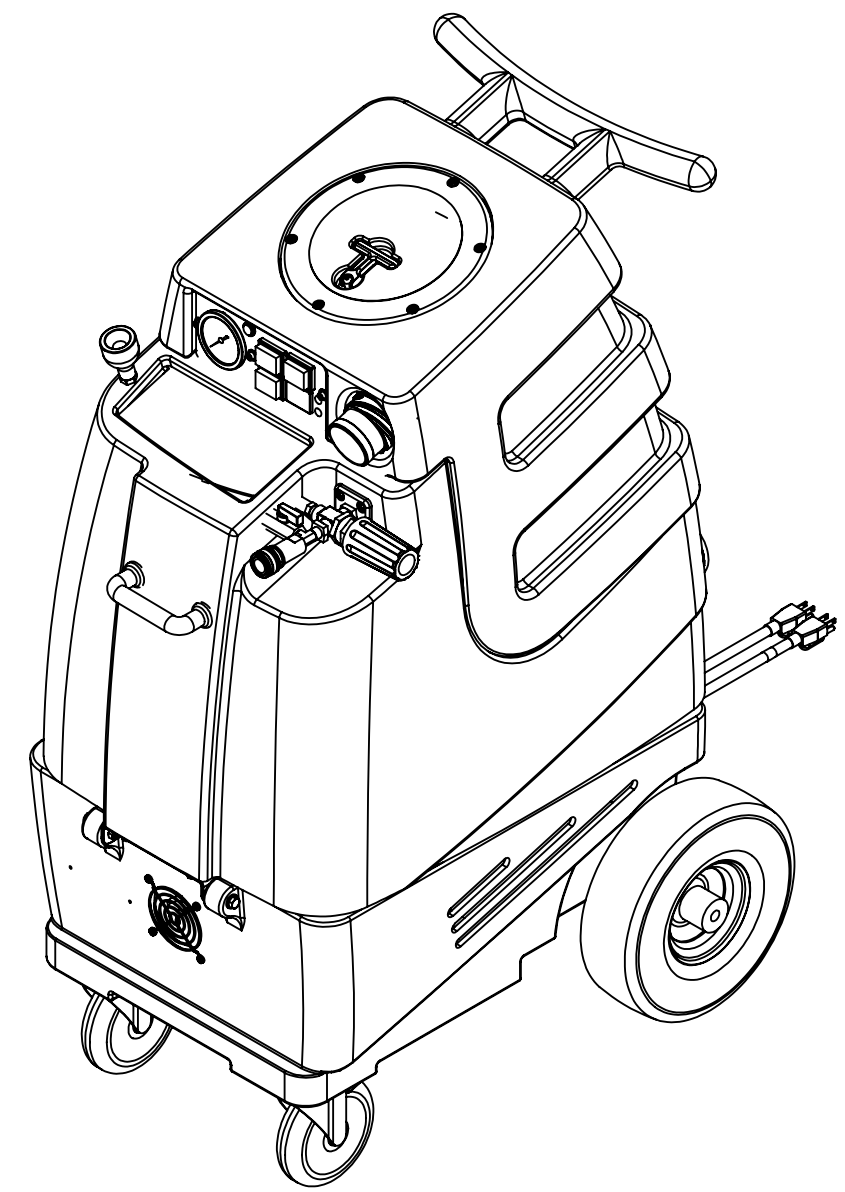


ITEM NO.	PART NO.	DESCRIPTION	QTY.
1	H296	guard, cooling fan, wire	2
2	H304	screw, 8 x 5/8", phil oval, s/s	14
3	H378	bracket, front hinge, sp/fb	1
4	H210	washer, 1/4" flat, s/s	26
5	H213	washer, 1/4" lock, s/s	10
6	H201	bolt, 1/4-20 x 1/2", hex head, zinc	2
7	H216	nut, lock, 1/4-20, nylon insert, s/s	14
8	H316	bolt, 1/4x1-1/2", hex head zinc	2
9	H342	bolt, 1/4-20 x 1" hex head, s/s	8
10	H666	caster, 5", Black hub & gray tread	2
11	P731	base	1
12	H371	axle, 18.03" x .50" dia	1
13	H254	washer, axle, cut 1/2" id	8
14	H109	wheel, 10", foam filled	2
15	H042	c-clip, 12mm, external	2
16	H876	washer, 1/2 flat, s/s	4
17	E550	power cord, pigtail, 30", 12/3, black	2
18	H220	fitting, strain relief, cord	2
19	H221	nut, lock, 1/2" steel	2
20	H912	bracket, rear, fb/spy	1
21	H307	washer, star, 1/4" steel zinc	2
22	H770	bolt, 1/4-20 x 1/2" serrated hex flange, zinc	8
23	H202	bolt, 1/4x20x3/4" hex head	4
24	B246	plug, brass, 3/8" mpt, hex	1
25	B186	elbow, brass, 90 deg, 3/8"mpt x 3/8" fmpt	2
26	B105	bushing, brass, 3/8"mpt x 1/4"	1
27	B260A	qd, brass, 1/4" mqd x fpt	2
28	B259A	qd, brass, 1/4" fqd x fpt	2
29	B644	adapter, brass, 1/2" barb x 1/4" mpt	1
30	PH615-37	sol hose, 1/2" kuri, 100 psi	1
31	B173	ferrule, 1/2", brass	2
32	B160	adapter, brass, 1/2" barb x 3/8" fsw, ball end	1
33	B652	elbow, brass, 90 deg, 3/8"mpt x 1/4"mpt	1
34	B107	nipple, brass, 1/4"m, hex	3
35	B643	adapter, brass, 3/8" fnpt x 1/4" mnpt	1
36	B113	tee, brass, 1/4" fpt	1
37	AH184	hose, pulse BLK 49"(OAL), 1/4"fswl x 1/4"fswl	1
38	C313A	pump, CAT, 50-500 PSI, 120/240v	1
39	H768	bolt, 1/4-20 x 3/4" serrated hex flange, zinc	2
40	H211	washer, 1/4" id x 1" od, flat, s/s	6
41	G052	washer, buna 1-1/8" od x 3/16" id	6
42	H485	handle, aluminim grip, black	1
43	PH612-60	clear tubing, 1/2" OD x 3/8" ID, faucet fill	1
44	B241	adapter, brass, 3/8" barb x 1/4"mpt	1
45	H178	faucet fill	1
46	G018	cover, sol tank (sp)	1
47	P732	sol tank	1
48	PH628-24	vac hose, 2" wire reinforced, gray	2
49	H217	clamp, hose, 2-1/4 dia	4
50	H194	coupler, 2" dia x 2.5" length, s/s	2
51	H124	Cuff-Lynx, 2" mpt x 2" female cuff	2
52	PH634-20	sol hose, 1/4", 300 PSI	1
53	B109	adapter, brass, 1/4" barb x 1/4" mpt	2
54	H256	screw, 10-32 x 3/4" phil pan head, zinc	4
55	H484	plate, mounting, QD	1
56	AH203	hose, pulse BLK 49"(OAL), 1/4"fswl x 1/4"fswl	1
57	C313C	regulator, 450 psi, silver spring	1
58	B135	tee, brass, 1/4" mpt	1
59	B102	qd, brass, 1/4" f x 1/4" fpt	1
60	B656	ball valve, 1/4"	1
61	B170	ferrule, 1/4" brass	2
62	PH634-36	sol hose, 1/4", 300 PSI	1

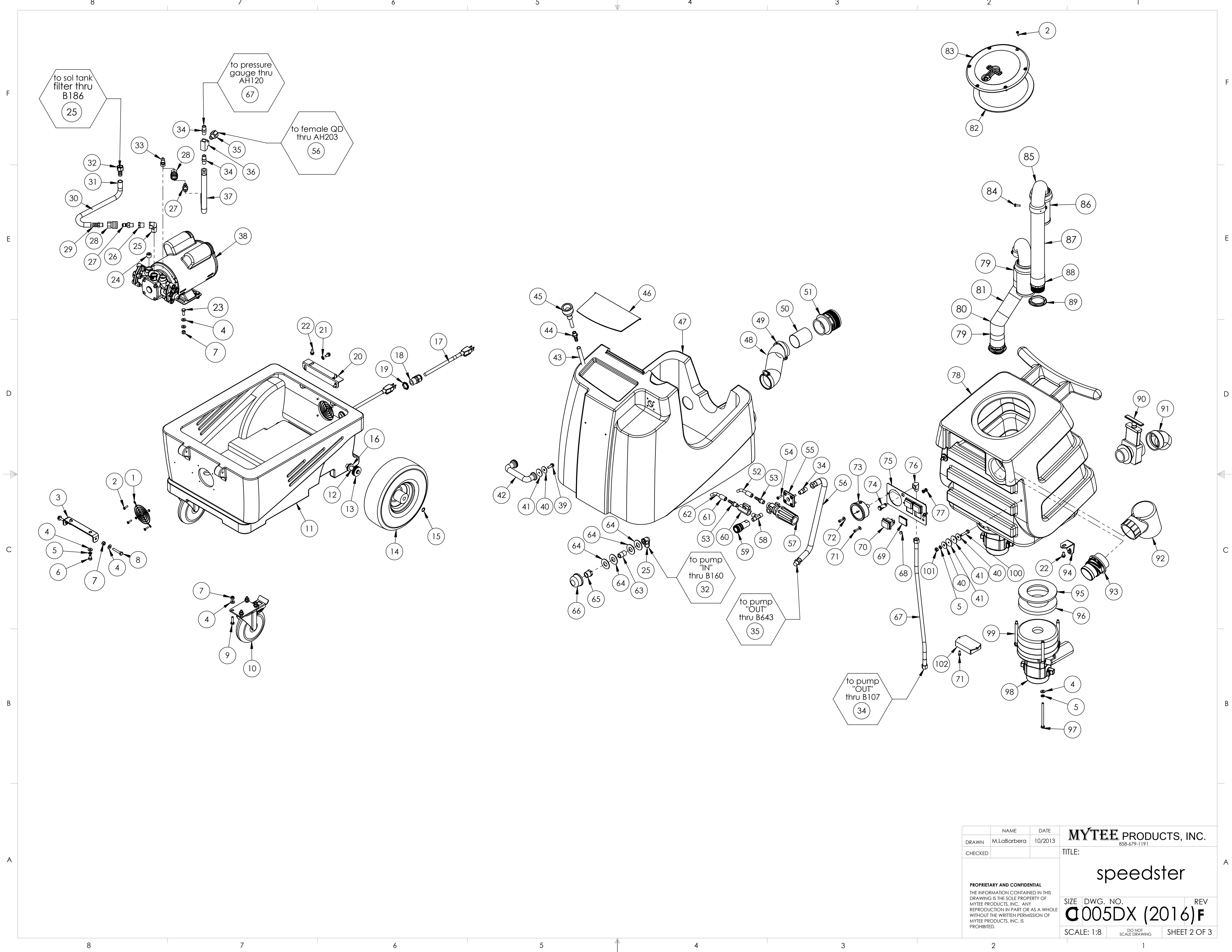
ITEM NO.	PART NO.	DESCRIPTION	QTY.
63	B216	nipple, brass, 3/8" x close	1
64	H299	washer, 11/16" id x 1-1/2" od x .075, s/s	4
65	B210	bushing, brass, 1/2"mpt x 3/8" fpt, hex	1
66	B119A	filter, strainer, 1/2"	1
67	AH120	sol hose, 1/4" x 24 1/2", (OAL), f x fsw, 3000psi	1
68	H422	plug, dome 3/8", black	2
69	P967A	plug, switch	1
70	E515	switch, rocker, 2 position	3
71	H389	screw, 10-32 x 1/2" SHCS, alloy	4
72	H612	Washer, #8, flat regular	3
73	H308D	gauge, pressure, 2000psi	1
74	E512B	light, indicator, 125v (amber)	1
75	H337	plate, switch, 1003DX, 1005DX	1
76	B103	elbow, brass, 90 deg, 1/4"mpt x 1/4" fpt	1
77	H273	nut, kep, #10-32 zinc	2
78	P733	vac tank	1
79	PH633-3	pipe, pvc, 1-1/2"	2
80	P503	adapter, 1.5" pvc, 45 deg, fslip x fslip	2
81	PH633-5	pipe, pvc, 1-1/2"	1
82	G091	gasket, 7", vac lid	1
83	G090	lid, vac tank, clear, 7"	1
84	H343	screw, 10 x 5/8" hex head, zinc	6
85	P755	elbow, U, 180, 1-1/2", float	2
86	H490	float, 2" / 1.5" ball style	2
87	PH633-12	pipe, pvc, 1-1/2"	1
88	P520	adapter, pvc, 1-1/2" mpt x 1-1/2" fms	2
89	H314	nut, lock, 1-1/2", steel	2
90	H225	valve, drain, 1-1/2"	1
91	H226	spout, drain, 45 degree	1
92	A926	elbow, inlet assembly 2"	1
93	H135	Cuff-Lynx, 2" m cuff x 2" mpt	1
94	H390A	bracket, "L"	2
95	G004-A	gasket, vacuum motor	2
96	G004	gasket, vacuum motor	2
97	H096	bolt, hex, 1/4-20 x 4", zinc Finish	6
98	C302A	vac motor, 3-stage hp, 120V, 145"	2
99	H503	vac support, 3 stage, 3.25", no thrds	6
100	H203	bolt, 1/4-20 x 1-1/4"	2
101	H215	nut, hex, 1/4-20 s/s	2
102	E564	controller, circuit light	1

ITEMS NOT SHOWN

PART NO.	DESCRIPTION	QTY.
A995	harness, electrical	1
G008	piglet filet	1
H375	hanger, wire formed, hose	1
H230	screw, 10-32 x 1/2" phil pan head, s/s	2
H141	Cuff-Lynx, 2" to 1.5" reducer	1
E530	power cord, ext 50', 12/3 black	2
H110	Cuff-Lynx, 2" hose x 2" fem swivel Cuff-Lynx	1
P568A	cord lock, s-type	2
ADM-SPEEDSTERS	manual, speedsters	1



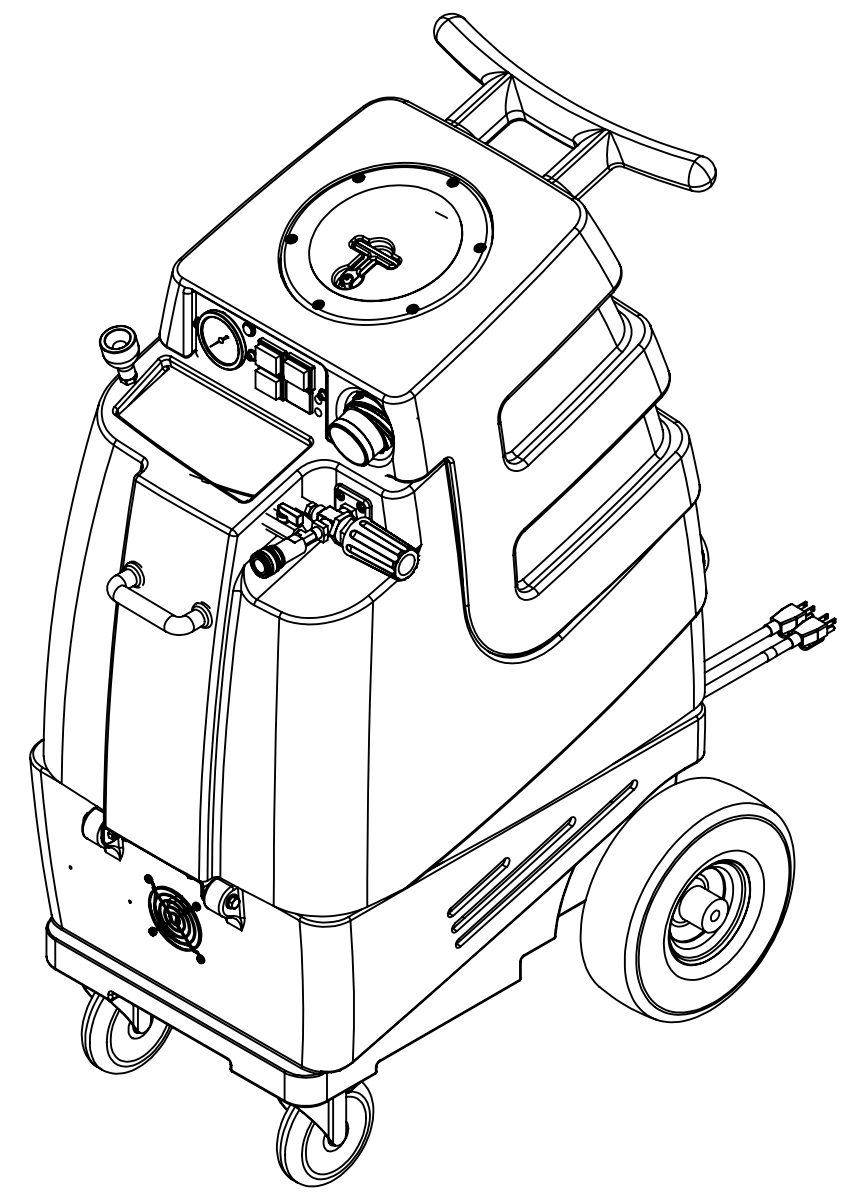
NAME	DATE	MYTEE PRODUCTS, INC. <small>858-679-1191</small>
DRAWN M.LaBarbera	10/2013	
CHECKED		TITLE:
<small>PROPRIETARY AND CONFIDENTIAL THE INFORMATION CONTAINED IN THIS DRAWING IS THE SOLE PROPERTY OF MYTEE PRODUCTS, INC. ANY REPRODUCTION IN PART OR AS A WHOLE WITHOUT THE WRITTEN PERMISSION OF MYTEE PRODUCTS, INC. IS PROHIBITED.</small>		speedster
SIZE	DWG. NO.	REV
	0005DX (2016)F	
SCALE: 1:8	DO NOT SCALE DRAWING	SHEET 1 OF 3



	NAME	DATE	MYTEE PRODUCTS, INC. 858-679-1191		
DRAWN	M.LaBarbera	10/2013	TITLE:		
CHECKED			speedster		
<small>PROPRIETARY AND CONFIDENTIAL THE INFORMATION CONTAINED IN THIS DRAWING IS THE SOLE PROPERTY OF MYTEE PRODUCTS, INC. ANY REPRODUCTION IN PART OR AS A WHOLE WITHOUT THE WRITTEN PERMISSION OF MYTEE PRODUCTS, INC. IS PROHIBITED.</small>			SIZE	REV	
			DWG. NO. C005DX (2016)F		
			SCALE: 1:8	DO NOT SCALE DRAWING	SHEET 2 OF 3

REVISIONS

REV.	DESCRIPTION	DATE	APPROVED
OD	ORIGINAL DRAFT	-	JFL
A	REPLACED G003 W G022	8/2013	JFL
B	REPLACED H033 W H342, ADDED H210 & H216	10/8/2013	JFL
C	G021 REPLACED W G097	10/28/2013	JFL
D	REPLACED H219 W H042	8/8/2014	ML
E	ADDED B241	4/22/2015	ML
F	REMOVED ELECTRONIC FLOAT	3/8/2016	ML



	NAME	DATE	MYTEE PRODUCTS, INC. <small>858-679-1191</small>		
DRAWN	M.LaBarbera	10/2013			
CHECKED			TITLE:		
<small>PROPRIETARY AND CONFIDENTIAL THE INFORMATION CONTAINED IN THIS DRAWING IS THE SOLE PROPERTY OF MYTEE PRODUCTS, INC. ANY REPRODUCTION IN PART OR AS A WHOLE WITHOUT THE WRITTEN PERMISSION OF MYTEE PRODUCTS, INC. IS PROHIBITED.</small>			speedster		
			SIZE	DWG. NO.	REV
			0005DX (2016)F		
			SCALE: 1:8	DO NOT SCALE DRAWING	SHEET 3 OF 3