



Equipos Profesionales de Limpieza

HIDROLAVADORA YL-1414-E



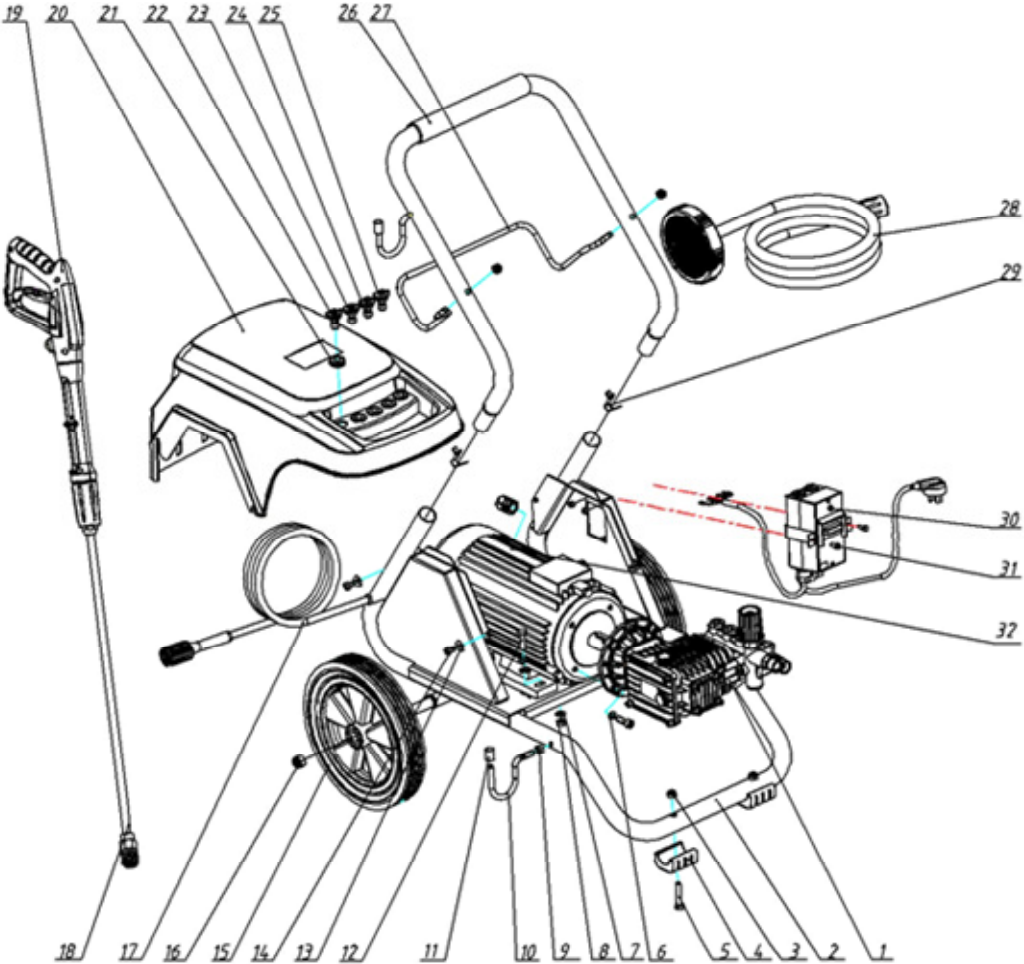
CATÁLOGO DE PIEZAS DE REPUESTO

Lienz S.A. de C.V.

Norte 45 #802, Col. Industrial Vallejo, C.P. 02300, Azcapotzalco, CDMX
Tel: (55) 5250-9055 E-mail: info@masisa.com.mx www.masisa.com.mx



Equipos Profesionales de Limpieza



ENSAMBLE GENERAL HIDROLAVADORA

Lienz S.A. de C.V.

Norte 45 #802, Col. Industrial Vallejo, C.P. 02300, Azcapotzalco, CDMX
Tel: (55) 5250-9055 E-mail: info@masisa.com.mx www.masisa.com.mx



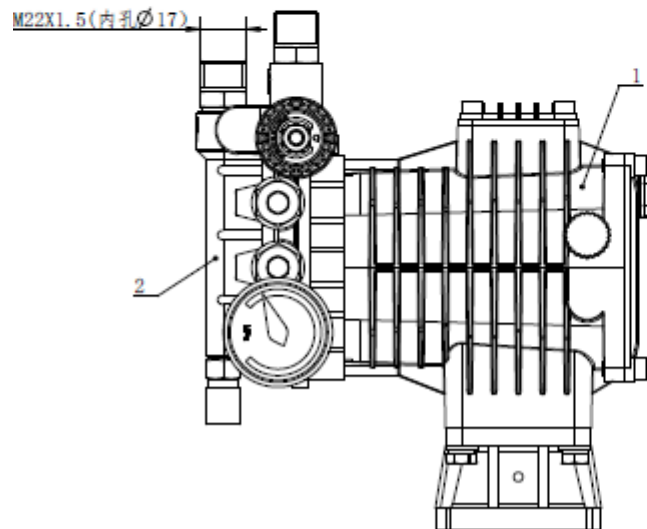
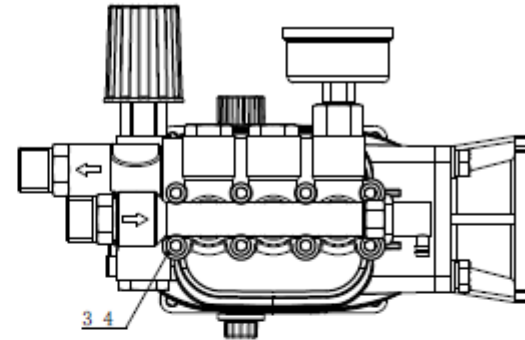
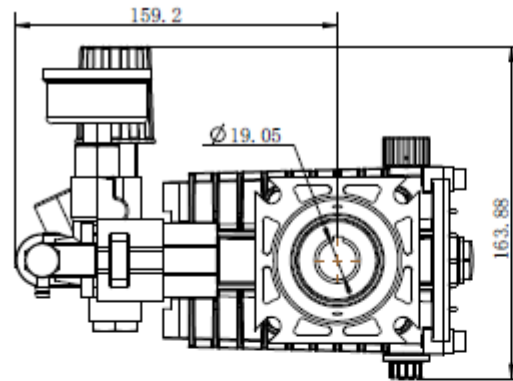
Equipos Profesionales de Limpieza

Ref.	No. de parte	Descripción	Cant
1	YL-9121PMPASSY	Pump assembly	1
2	YL-9121FRM	Frame	1
3	YL-9121HEXNM8	Hexagon lock nut M8	4
4	YL-9121SUPPAD	Support pad	2
5	YL-9121HBM840	Hexagon bolt M8x40	2
6	YL-9121SPRWSH	Spring washer	8
7	YL-9121FLWSHR	Flat washer	4
8	YL-9121HEXNUT	Hexagon nut	6
9	YL-9121HXLKNT	Hexagon lock nut	2
10	YL-9121HOOK	Hook	2
11	YL-9121RBRCAP	Rubber cap	2
12	YL-9121HEXBLT	Hexagon bolt	4
13	YL-9121WSHR	Big washer	4
14	YL-9121SCRW	Cross recessed pan head screws	4
15	YL-9121WHEEL	Big wheels	2
16	YL-9121HXBLT2	Hexagon bolt	2
17	YL-8020HPHOS	10m Steel armed high pressure hose	1
18	YL-8020LANCE	lance	1
19	YL-8020GUN	gun	1
20	YL-9121COVER	Cover	1
21	YL-9121NZZHLD	Nozzle fixture	5
22	YL-9121NZZ0D	Zero degree nozzle	1
23	YL-9121NZZ15D	Fifteen degree nozzle	1
24	YL-9121NZZ25D	Twenty-five degree nozzle	1
25	YL-9121NZZ40D	Forty degree nozzle	1
26	YL-9121HDLSLV	Handle sleeve	1
27	YL-9121HKHPPHS	Hook for high pressure hose	1
28	YL-9121INHOSE	Inlet water pipe	1
29	YL-9121SGLBUC	Single head buckle	2
30	YL-9121SWSET	Switch set	1
31	YL-9121HXSCR	Hexagon socket head cap screws	4
32	YL-9121MOT	Motor	1

ENSAMBLE GENERAL HIDROLAVADORA

Lienz S.A. de C.V.

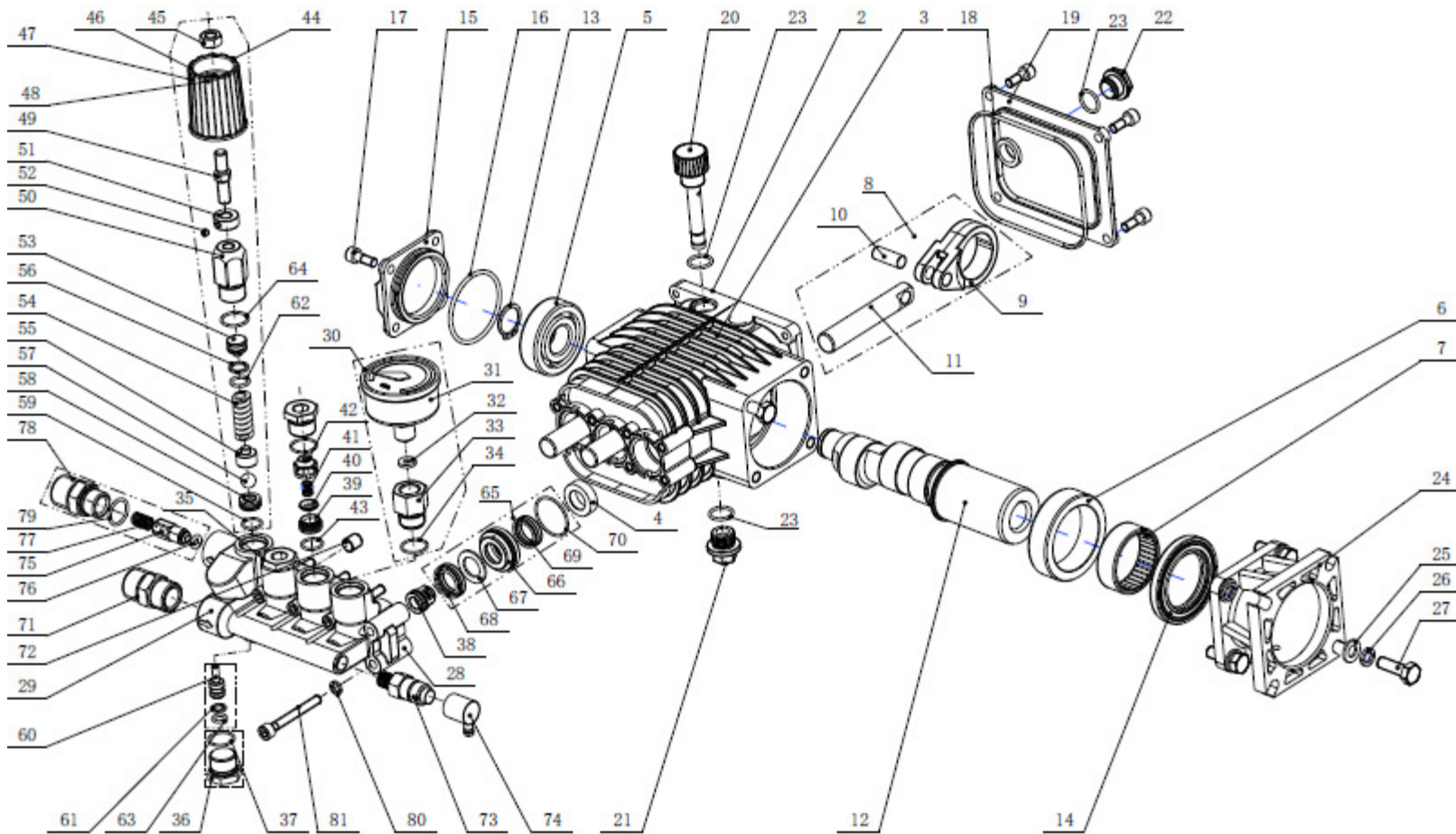
Norte 45 #802, Col. Industrial Vallejo, C.P. 02300, Azcapotzalco, CDMX
 Tel: (55) 5250-9055 E-mail: info@masisa.com.mx www.masisa.com.mx



DIMENSIONES DE LA BOMBA

Lienz S.A. de C.V.

Norte 45 #802, Col. Industrial Vallejo, C.P. 02300, Azcapotzalco, CDMX
Tel: (55) 5250-9055 E-mail: info@masisa.com.mx www.masisa.com.mx



ENSAMBLE DE LA BOMBA

Lienz S.A. de C.V.

Norte 45 #802, Col. Industrial Vallejo, C.P. 02300, Azcapotzalco, CDMX
Tel: (55) 5250-9055 E-mail: info@masisa.com.mx www.masisa.com.mx



Equipos Profesionales de Limpieza

Ref.	Nivel	No. parte	Descripción	Cant.	Ref.	Nivel	No. parte	Descripción	Cant.
2	2	YL-9121CRKCSASS	Crankcase assembly for 9121	1	42	4	YL-9121NRVLSUP	No-return valve support	1
3	3	YL-9121CRKCS	Crank case	1	43	4	YL-9121ORVLSUP	O ring	1
4	3	YL-9121OILSL	Recroccating oil seal	3	44	3	YL-9121PRVLST	Regulating pressure assembly	1
5	3	YL-9121DPGRBLBR	Deep Groove Ball Bearing	1	45	4	YL-9121NUTM8	NUT M8	1
6	3	YL-9121BRLNR	Bearing Liner	1	46	4	YL-9121HNDGRASS	Hand grip assembly	1
7	3	YL-9121NDLBR	Needle Bearing	1	47	5	YL-9121HNDGR	Hand grip	1
8	3	YL-9121CRODASSY	Connecting Rod assembly	3	48	5	YL-9121HNDINS	Handle insert	1
9	4	YL-9121CNROD	Connecting rod	1	49	4	YL-9121REGSCR	Regulating screw	1
10	4	YL-9121PIN	Pin	1	50	4	YL-9121VLSLV	Valve sleeve	1
11	4	YL-9121POTPLGR	Pottery plunger	1	51	4	YL-9121STNUT	Stop nut	1
12	3	YL-9121CRKSHFT	Bent axle for 9121	1	52	4	YL-9121HXHLDSCR	Hexagon holding screw	1
13	3	YL-9121EXCRCLP	external circlips	1	53	4	YL-9121SPRHLD1	Spring holder	1
14	3	YL-9121RTNRNG	Oil seal	1	54	4	YL-9121RGPSPR	Regulating pressure spring	1
15	3	YL-9121CRSCVCL	Tank bottom cover	1	55	4	YL-9121SPRHLD2	Spring holder	1
16	3	YL-9121ORCRCS1	O ring	1	56	4	YL-9121RING1	Ring	1
17	3	YL-9121SCRM6X16	SCREW M6*16	8	57	4	YL-9121STBALL	Steel ball	1
18	3	YL-9121SLRNG	Seal ring	1	58	4	YL-9121VLHLD	Valve holder	1
19	3	YL-9121CRSCVCR	Crankcase bottom cover	1	59	4	YL-9121ORVLHLD	O ring	1
20	3	YL-9121DIPSTK	Dipstick	1	60	4	YL-9121PSTROD	Piston rod	1
21	3	YL-9121OILPLG	Oil plug	2	61	4	YL-9121RING2	Ring	1
22	3	YL-9121OILMK	Rotary circular oil standard	1	62	4	YL-9121ORING1	O ring	1
23	3	YL-9121ORPLG	O ring	4	63	4	YL-9121ORING2	O ring	1
24	3	YL-9121FLANGE	Flange for 9121	1	64	4	YL-9121ORING3	O ring	1
25	3	YL-9121FLTWSHR	Flat washer	4	65	3	YL-9121WSEALST	Water seals kit	3
26	3	YL-9121SPRWSHR	Spring washer	4	66	4	YL-9121SLHLDR	Seals holder	1
27	3	YL-9121SCRM8X25	SCREW M8*25	4	67	4	YL-9121WSLWSHR	Water seals washer	1
28	2	YL-9121PMPHDASS	Pump head assembly for 9121	1	68	4	YL-9121MNWTSL	Main water seals	1
29	3	YL-9121PMPHD	Pump head	1	69	4	YL-9121SECSLRNG	Secondary seal ring	1
30	3	YL-9121GAUGASSY	Gauge assembly	1	70	4	YL-9121ORING4	O ring	1
31	4	YL-9121GAUGE	Gauge	1	71	3	YL-9121INWTCN	Inlet water connector	1
32	4	YL-9121GSKT	Gasket	1	72	3	YL-9121PLUG2	Plug	1
33	4	YL-9121GAUCN	Gauge connector	1	73	3	YL-9121THRML	Thermostat	1
34	4	YL-9121ORGAGE	O ring	1	74	3	YL-9121THRMCV	thermostat cover	1
35	3	YL-9121VLPLG	Valve plug	3	75	3	YL-9121CHECKVL	Check valve	1
36	4	YL-9121PLUG1	Plug	1	76	3	YL-9121ORING5	O ring	1
37	4	YL-9121ORPLG2	O ring	1	77	3	YL-9121CHKVLSPR	Check valve spring	1
38	3	YL-9121NRVLST	No-return valve kit	6	78	3	YL-9121OUWTCN	Outlet water connector	1
39	4	YL-9121NRVLHLD	No-return valve holder	1	79	3	YL-9121ORING6	O ring	1
40	4	YL-9121NRVLCCLIP	No-return valve chip	1	80	2	YL-9121SPRHLD	Spring holder	8
41	4	YL-9121NRVLSPR	No-return valve spring	1	81	2	YL-9121SCRM6X50	SCREW M6*50	8

ENSAMBLE DE LA BOMBA

Lienz S.A. de C.V.

Norte 45 #802, Col. Industrial Vallejo, C.P. 02300, Azcapotzalco, CDMX

Tel: (55) 5250-9055 E-mail: info@masisa.com.mx www.masisa.com.mx