



**Equipos Profesionales de Limpieza**

# **HIDROLAVADORA YL-1110-E**



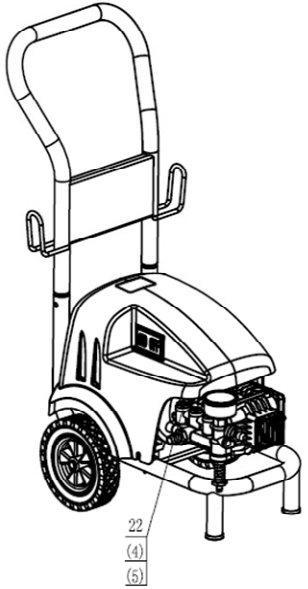
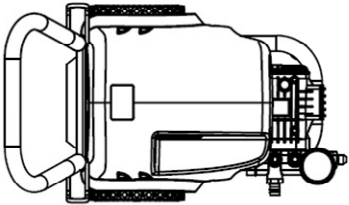
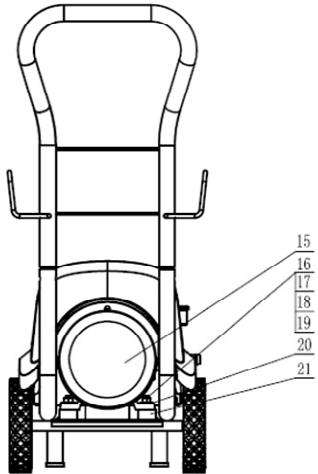
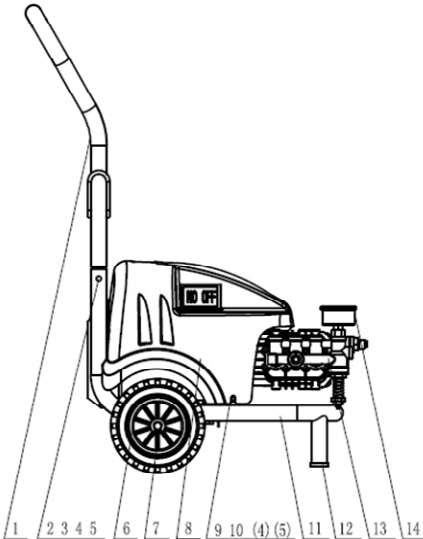
## **CATÁLOGO DE PIEZAS DE REPUESTO**

**Lienz S.A. de C.V.**

Norte 45 #802, Col. Industrial Vallejo, C.P. 02300, Azcapotzalco, CDMX  
Tel: (55) 5250-9055 E-mail: [info@masisa.com.mx](mailto:info@masisa.com.mx) [www.masisa.com.mx](http://www.masisa.com.mx)



**Equipos Profesionales de Limpieza**



**ENSAMBLE GENERAL HIDROLAVADORA**

**Lienz S.A. de C.V.**

Norte 45 #802, Col. Industrial Vallejo, C.P. 02300, Azcapotzalco, CDMX  
Tel: (55) 5250-9055 E-mail: info@masisa.com.mx www.masisa.com.mx



## Equipos Profesionales de Limpieza

Ref.	No. parte	Description	Cant.
1	YL-7520GHNDL	Handle (Including 2pcs extension tube and 2 pcs $\phi$ 6 buckle)	1
2	YL-7520GBM6X45	Hexagon headed bolt M6*45	2
3	YL-7520GHXHDNUT	Hexagon headed nut	2
4	YL-7520GSPRWSHR	Spring washer	6
5	YL-7520GFLTWSHR	Flat washer	10
6	YL-7520GRBRWHL	Rubber wheels	2
7	YL-7520GCLSHFT	Circlips for shaft	2
8	YL-7520GSHL	Shell	1
9	YL-7520GBTFSCR	Butterfly screw	2
10	YL-7520GHEXNUT	Hexagon nut	2
11	YL-7520GFRM	Frame	1
12	YL-7520GSUPPD	Support pad	2
13	YL-7520GPMPASSY	Pump assembly	1
14	YL-7520GPRGAU	Pressure gauge	1
15	YL-7520GMOT	Motor	1
16	YL-7520GHNUTM8	Hexagon nut M8	4
17	YL-7520GSPRWSH8	Spring washer 8	4
18	YL-7520GBGWSH8	Big washer 8	8
19	YL-7520GHBM8X45	Hexagon headed bolt M8*45	4
20	YL-7520GINSWSHR	Insulation washer	4
21	YL-7520GSHCPD	Shock pad	4
22	YL-7520GHBM6X20	Hexagon headed bolt M6*20	4
23	YL-7520GINWTPI	Inlet water pipe	1
24	YL-7520G8MHPHOS	8m Steel armed high pressure hose	1
25	YL-7520GGUN	Gun	1
26	YL-7520GPWCRD	Power cord	1

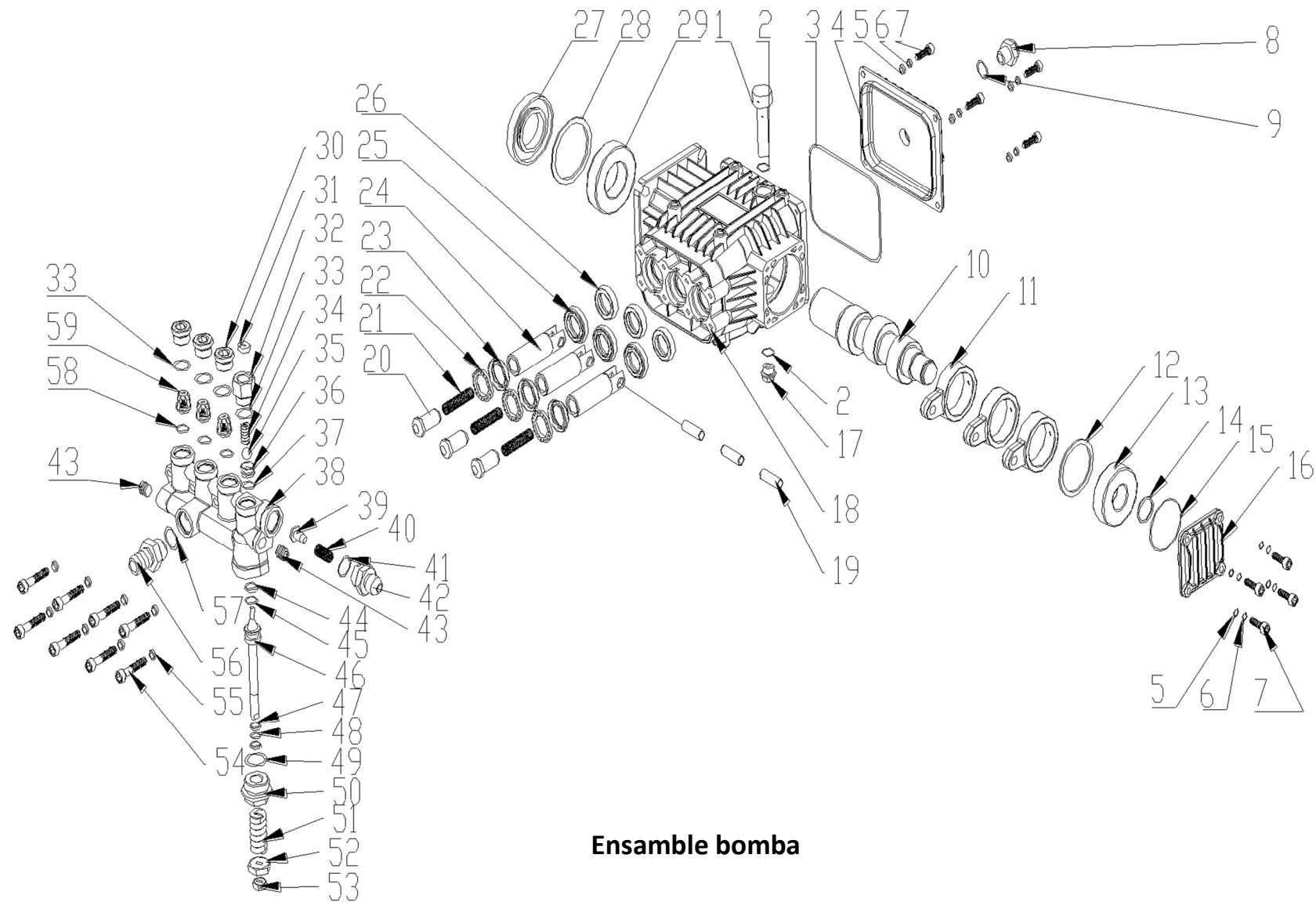
### ENSAMBLE GENERAL HIDROLAVADORA

**Lienz S.A. de C.V.**

Norte 45 #802, Col. Industrial Vallejo, C.P. 02300, Azcapotzalco, CDMX  
 Tel: (55) 5250-9055 E-mail: info@masisa.com.mx www.masisa.com.mx



**Equipos Profesionales de Limpieza**



**Ensamble bomba**

**Lienz S.A. de C.V.**

Norte 45 #802, Col. Industrial Vallejo, C.P. 02300, Azcapotzalco, CDMX  
Tel: (55) 5250-9055 E-mail: info@masisa.com.mx www.masisa.com.mx



## Equipos Profesionales de Limpieza

Ref.	No. parte	Descripción	English name	Qty.Used	Ref.	No. parte	Descripción	English name	Qty.Used
1	YL-7520GDIPSTST	Dipstick set	dipstick	1	30	YL-7520GPLUGST	Choke Plug Set	choke plug	3
2			O-RING 12*1.8	1	33			O-RING 14*1.8	3
3	YL-7520GO95X265	O-ring	O-RING 95*2.65	1	31	YL-7520GSLWSH	seal washer	seal washer	1
4	YL-7520GCRKCSC	Crank case cover	tank cover	1	32	YL-7520GPRGA		pressure gauge	1
5	YL-7520M5SCRST	M5 Screw set	flat washer $\Phi$ 5	8	34	YL-7520GSTSPR	stop sping	stop sping	1
6			washer $\Phi$ 5	8	35	YL-7520GSTBL8	steel ball $\Phi$ 8	steel ball $\Phi$ 8	1
7			Hexagon socket head cap screws	8	36	YL-7520GUNLDVL	unloading valve	unloading valve	1
8	YL-7520GOILMK	rotary circular oil mark	rotary circular oil mark	1	37	YL-7520GO9X20	O-RING 9*2.0	O-RING 9*2.0	1
9	YL-7520GO12X18	O-RING 12*1.8	O-RING 12*1.8	1	38	YL-7520GPMPHD	pump head	pump head	1
10	YL-7520GCRKSH	Crank shaft	eccentric shaft	1	39	YL-7520GWCONST	Water Outlet Connector Set	reverse check valve core	1
11	YL-7520GPISTST	Piston Set	connecting rod	3	40			reverse check valve spring	1
19			plunger pin	3	41			O-RING 16*1.8	1
24			Plunger	3	42			water outlet connector	1
12	YL-7520GCRC47A		circlip for hole type 47A	1	43	YL-7520GSCRT77		screw T77	2
13	YL-7520GBRG6006	bearing 6006	bearing 6006	1	44	YL-7520GPRVLST	Pressure Regulating Valve Set	splite washer	1
14	YL-7520GEXCRC	external circlips	external circlips	1	45			O-RING 11.2*2.65	1
15	YL-7520GO42518	O-RING 42.5*1.8	O-RING 42.5*1.8	1	46			valve rod	1
16	YL-7520GTKENCV	tank end cover	tank end cover	1	47			collar	2
17	YL-7520GPLGST	Drain Plug Set	drain plug	2	48			O-RING 7.5*2.65	1
2			O-RING 12*1.8	3	49			O-RING 21.2*1.8	1
18	YL-7520GCRKCS	Crank case	tank	1	50			spigot nut	1
20	YL-7520GWATST	Inlet Water Valve Set	water inlet valve core	3	51			pressure regulating spring	1
21			water inlet/outlet valve spring	3	52			pressure regulating screw	1
22	YL-7520GWATSEAL	Water Seals Set	seal joint	3	53			screw M8	1
23			water seal	3	54	screw 6*35	8		
25			seal holder	3	55	washer $\Phi$ 6	8		
26	YL-7520GRCOILSL	reciprocating oil seal	reciprocating oil seal	3	56	YL-7520GWINCNST	Water Inlet Connector Set	water inlet connector	1
27	YL-7520GOILSL	oil seal	oil seal	1	57			O-RING 14*2.5	1
28	YL-7520GCRC55A	circlip for hole type 55A	circlip for hole type 55A	1	58	YL-7520GWVOLST	Outlet Water Valve Set	O-RING 9*2.0	3
29	YL-7520GBRG6204	bearing 6204	bearing 6204	1	59			water outlet valve kit	3

### Ensamble bomba

Lienz S.A. de C.V.

Norte 45 #802, Col. Industrial Vallejo, C.P. 02300, Azcapotzalco, CDMX

Tel: (55) 5250-9055 E-mail: info@masisa.com.mx www.masisa.com.mx