



# **SCL FREE EVO 50B CBT + 2XGEL + BATTERY CHARGER -LAVOR-**

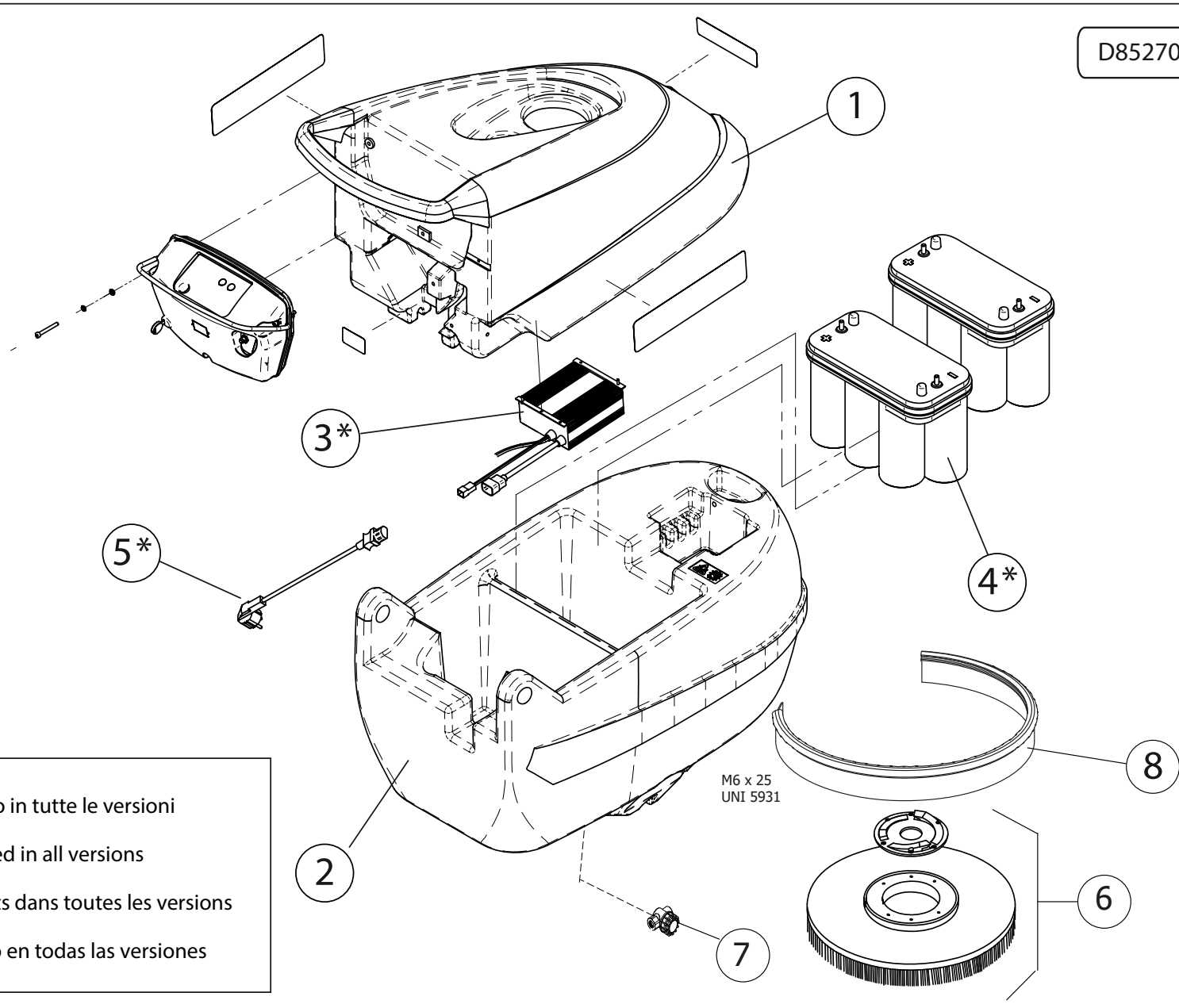
*Content filters: validity 08/10/2021*

*08/10/2021*

8.527.0010 - SCL FREE EVO 50B CBT + 2XGEL + BATTERY CHARGER -LAVOR-	3
R85270010 - SCL FREE EVO 50B CBT + 2XSPIRALCELL -GR.CH./GR.SC.- -LAVOR-	4
R55111795 - ASSIEME SQUEGEE UOMO A TERRA	6
R55111886 - ASSIEME COPERCHIO FREE	8
R55111930 - ASSIEME SERBATOIO INFERIORE+SUPERIORE FREE B+CBT	10
R55111920 - ASSIEME SERBATOIO INFERIORE FREE B	12
R55092140 - GRUPPO PIATTO SPAZZOLA FREE EVO 50B-BT PIATTO MAGGIORATO C/ELETTROV.	14
R55110867 - ASSIEME SEMISFERA INNESTO SPAZZOLE	16
R55111978 - ASSIEME ASSE CARRUCOLA FREE	18
R55111979 - ASSIEME DISCO DI CENTRAGGIO FREE	20
R55111981 - ASSIEME PIATTO + OMEGA FREE	22
R55111982 - ASSIEME ELETTROVALVOLA FREE BATTERIA	24
R55110687 - ASSIEME RUBINETTO COMPACT FREE /NOX	26
R55111474 - ASSIEME RUOTA PIVOTANTE FREE/SWIFT	28
R55111891 - ASSIEME COMANDO ACQUA FREE	30
R55111895 - ASSIEME MOLLA TRAZIONE PIATTO FREE/SWIFT	32
R55110939 - ASSIEME ASSALE NON TRAZIONATO FREE/SWIFT	34
R55111882 - ASSIEME SUPPORTO SQUEGEE FREE/SWIFT EVO	36
R55111923 - ASSIEME SERBATOIO SUPERIORE FREE B+CBT	38
R55110672 - SCATOLA ELETTRICA CABLATA B (FREE EVO)	40
R55111655 - ASSIEME TUBO DI SCARICO C/TAPPO E FASCETTA	42
R55111890 - ASSIEME LEVE ALZA PIATTO/SQUEGEE FREE	44
R55111894 - ASSIEME CARRUCOLA FREE	46
R55111896 - ASSIEME STAFFA C/CAVO SPINA ANDERSON FREE	48
R55111898 - ASSIEME MOTORE ASPIRAZIONE FREE BATTERIA	50
Components index	52

Pos.	Code	Description
.	R85270010	SCL FREE EVO 50B CBT + 2XSPIRALCELL -GR.CH./GR.SC.- -LAVOR-

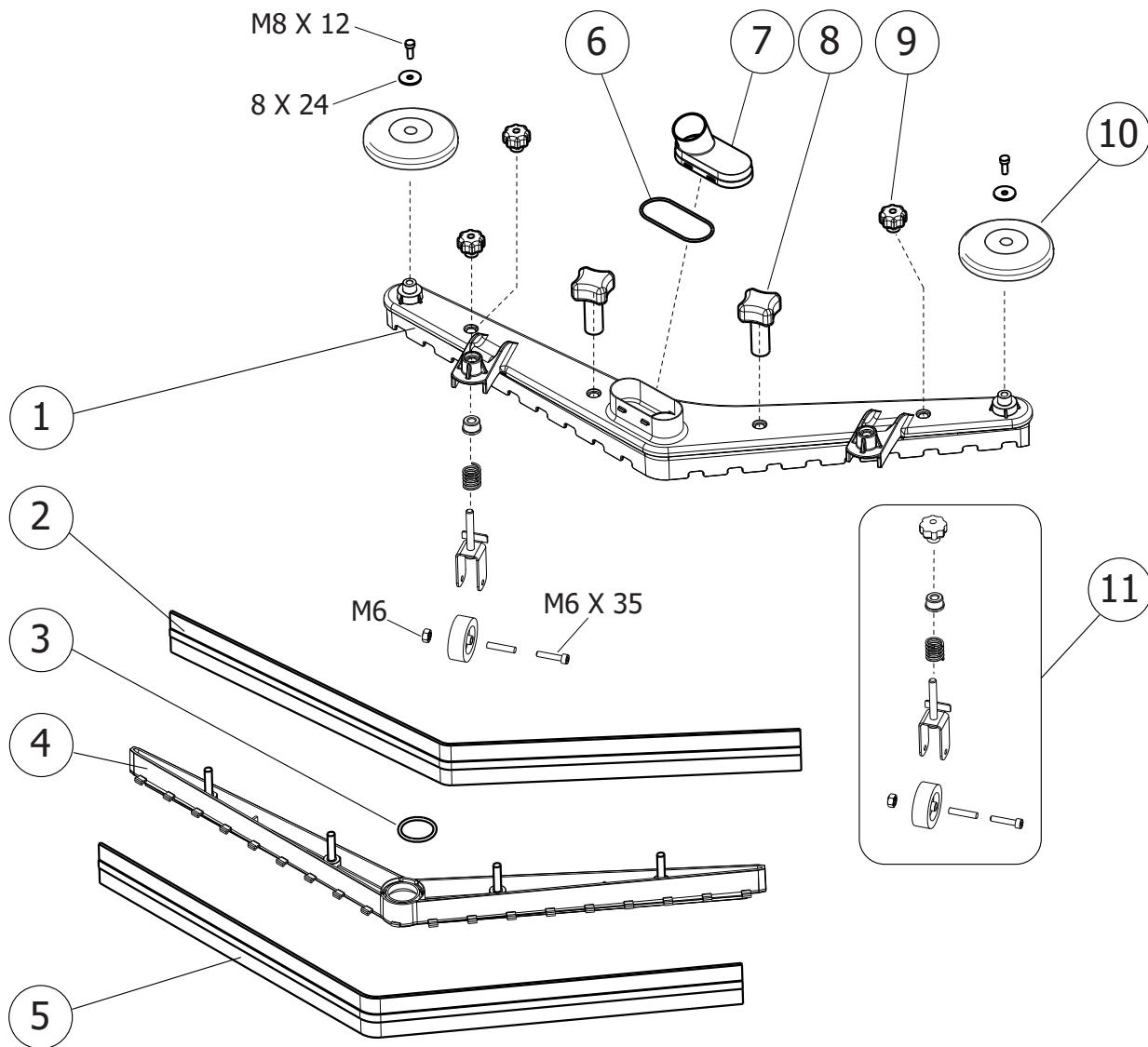
D85270001/01



\* = Non incluso in tutte le versioni  
\* = Not included in all versions  
\* = Pas présents dans toutes les versions  
\* = No incluido en todas las versiones

Pos.	Code	Substituted by	Q.ty	Purchasable	Min. Q.ty	For mainten.	Description
.	R55111795		1	No			ASSIEME SQUEGEE UOMO A TERRA
.	R55111886		1	No			ASSIEME COPERCHIO FREE
.	R55111930		1	No			ASSIEME SERBATOIO INFERIORE+SUPERIORE FREE B+CBT
005	0.108.0025		1	Yes	1	EXT	UE PLUG + MAIN CABLE FOR INTEG RATED CHARGER 1,5m
006	5.511.2167		1	Yes	1	ORD	PPL BRUSH 480 MM. W/UNIFIED COUPLING FLANGE
008	4.508.1554		1	Yes	1	EXT	BUMPER

D55110001/01

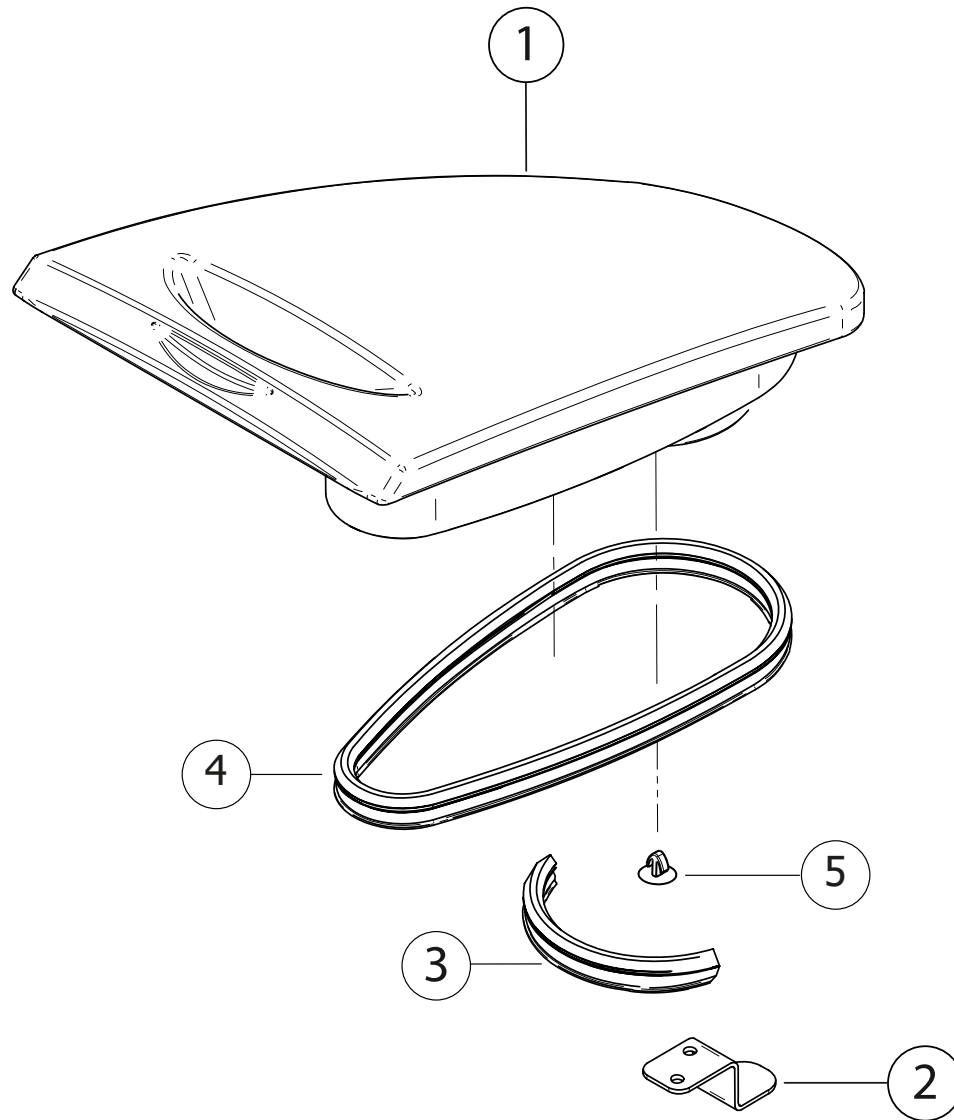


SCL FREE EVO 50B CBT + 2XGEL + BATTERY CHARGER -LAVOR- - Content filters: validity 08/10/2021

**R55111795 - ASSIEME SQUEGEE UOMO A TERRA**

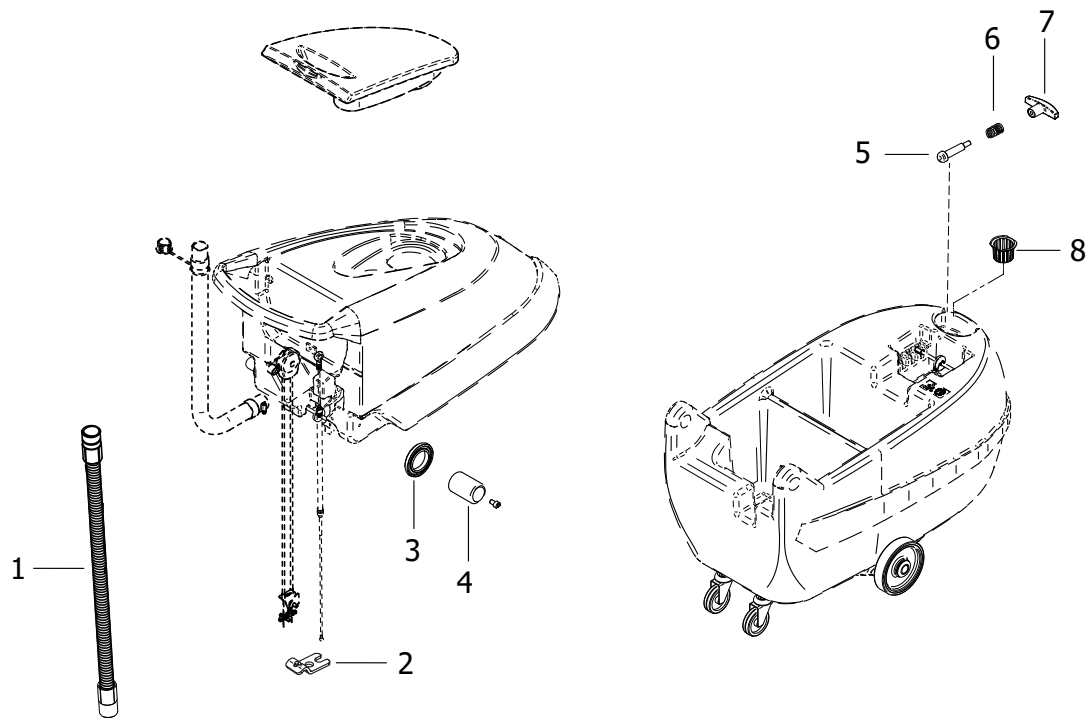
Validity: from 04/04/2018 to 31/12/9999

Pos.	Code	Substituted by	Q.ty	Purchasable	Min. Q.ty	For mainten.	Description
001	4.505.0866		1	Yes	1		SQUEEGEE L=780 MM SANDBLAST AND CATAPHORESIS TREATMENT
002	4.508.X468		1	Yes	1	ORD	FRONT SQUEEGEE BLADE L.830 TH.2,5
003	3.200.0168		1	Yes	1		O-RING 4143
004	4.508.0505		1	Yes	1		SQUEEGEE BLADES HOLDER
005	4.508.X467		1	Yes	1	ORD	REAR SQUEEGEE BLADE L.870 TH.3
006	3.200.0172		1	Yes	1		O-RING 3275
007	4.508.1552		1	Yes	1		SQUEEGEE SUCTION COMPARTMENT COVER
008	3.099.1900		2	Yes	1		KNOB D.52 D.8x23
009	3.099.0467		2	Yes	1		KNOB M8
010	4.508.0224		2	Yes	1	EXT	BUMPER WHEEL D.110 GREY
011	5.511.1823		1	Yes	1	EXT	SQUEEGEE WHEEL ASSEMBLY





Pos.	Code	Substituted by	Q.ty	Purchasable	Min. Q.ty	For mainten.	Description
001	4.508.0552		1	Yes	1		CAP FOR RECOVERY TANK
002	4.507.0713		1	Yes	1		BRACKET FOR COVER ESP. D
003	3.099.1854		0.17	Yes	1		EPDM PROFILE
004	3.099.1854		0.78	Yes	1		EPDM PROFILE
005	3.099.0647		1	Yes	1		PLASTIC RIVET



Pos.	Code	Substituted by	Q.ty	Purchasable	Min. Q.ty	For mainten.	Description
.	R55111920		1	No			ASSIEME SERBATOIO INFERIORE FREE B
.	R55111923		1	No			ASSIEME SERBATOIO SUPERIORE FREE B+CBT
001	5.509.0629		1	Yes	1	EXT	SUCTION HOSE ASSEMBLY COMPACT
002	4.507.0854		1	Yes	1		BRACKET FOR SQUEEGE LIFT CABLE
003	4.508.0803		2	Yes	1		SPACER
004	4.508.0738		2	Yes	1		TUBE FOR TANK ROTATION
005	4.507.0701		1	Yes	1		PIN FOR TANK LOCKING
006	4.507.0707		1	Yes	1		SPRING FOR TANK LOCKING
007	3.099.0307		1	Yes	1		HANDLE FOR TIE ROD BLACK MODEL MT/58/FFC-M6
008	4.508.1064		1	Yes	1	ORD	DETERGENT TANK FILTER

SCL FREE EVO 50B CBT + 2XGEL + BATTERY CHARGER -LAVOR- - Content filters: validity 08/10/2021



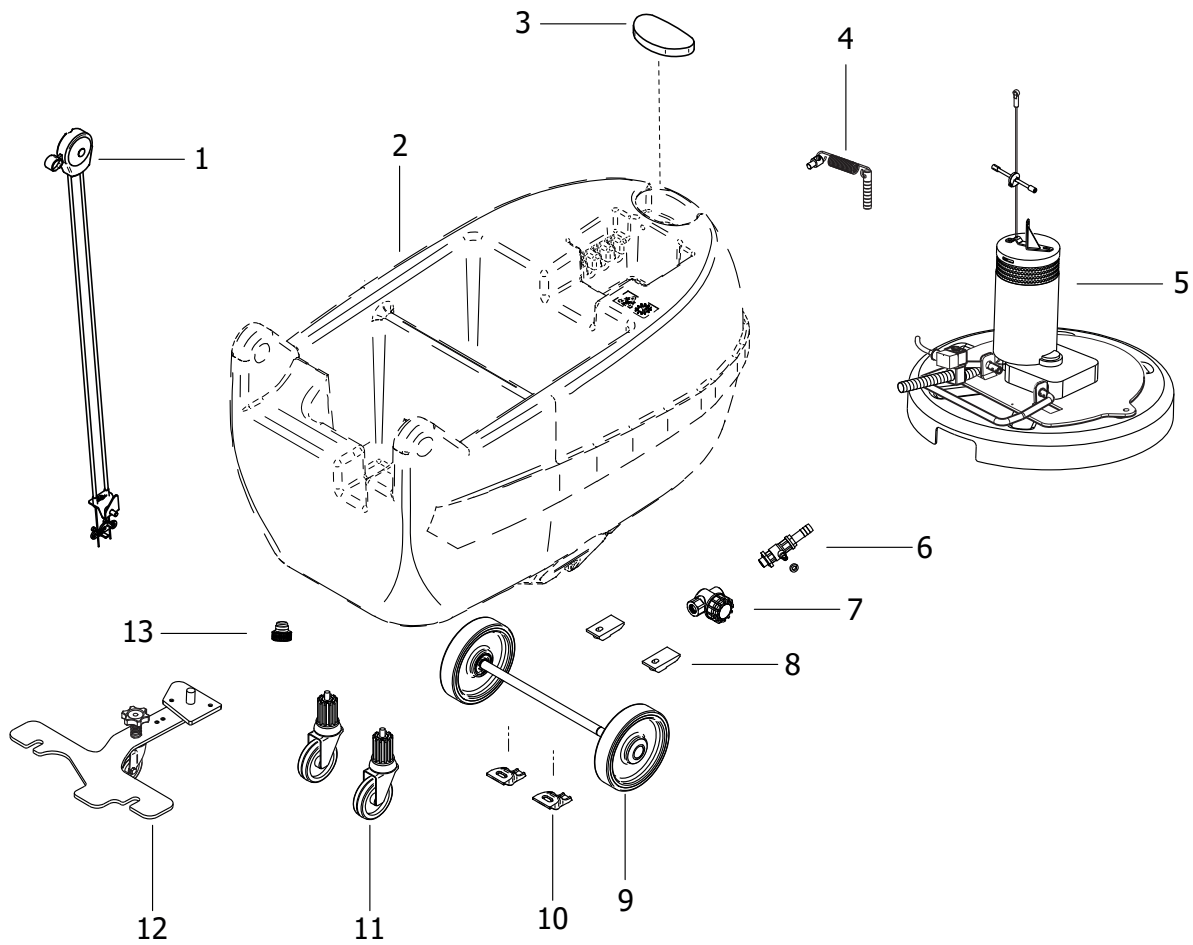
**R55111930 - ASSIEME SERBATOIO INFERIORE+SUPERIORE FREE B+CBT**

Validity: from 04/04/2018 to 31/12/9999

08/10/2021

Page 11 / 53

D55111920/01



SCL FREE EVO 50B CBT + 2XGEL + BATTERY CHARGER -LAVOR- - Content filters: validity 08/10/2021

**R55111920 - ASSIEME SERBATOIO INFERIORE FREE B**

Validity: from 16/10/2017 to 31/12/9999

Pos.	Code	Substituted by	Q.ty	Purchasable	Min. Q.ty	For mainten.	Description
.	R55092140		1	No			GRUPPO PIATTO SPAZZOLA FREE EVO 50B-BT PIATTO MAGGIORATO C/ ELETTRIC.
.	R55110687		1	No			ASSIEME RUBINETTO COMPACT FREE /NOX
.	R55111474		1	No			ASSIEME RUOTA PIVOTANTE FREE/SWIFT
.	R55111891		1	No			ASSIEME COMANDO ACQUA FREE
.	R55111895		1	No			ASSIEME MOLLA TRAZIONE PIATTO FREE/SWIFT
..	R55110939		1	No			ASSIEME ASSALE NON TRAZIONATO FREE/SWIFT
...	R55111882		1	No			ASSIEME SUPPORTO SQUEEGEE FREE/SWIFT EVO
001	5.511.1891		1	Yes	1		CONTROL WATER ASSEMBLY FREE
002	4.508.0477		1	Yes	1		SOLUTION TANK - GREY
003	4.508.0739		1	Yes	1		SPONGE FILTER
004	5.511.1895		1	Yes	1		TRACTION SPRING ASSEMBLY FREE
005	5.509.2140		1	Yes	1		BRUSH PLATE GROUP FOR SWIFT/FREE 50 BM/BTR
006	5.511.0687		1	Yes	1		TAP ASSEMBLY
007	3.102.0026		1	Yes	1	ORD	WATER FILTER WITHOUT FLOW REGULATOR
008	4.507.0793		2	Yes	1		LEVER SUPPORT PLATE
009	5.511.0939		1	Yes	1		AXLE ASSEMBLY WITH WHEELS
010	4.508.0689		2	Yes	1		FIXING WHEEL AXLE
011	5.511.1474		2	Yes	1		REINFORCED WHEEL
012	5.511.1882		1	Yes	1		SQUEEGEE SUPPORT ASSEMBLY - FREE/SWIFT EVO
013	5.511.0937		1	Yes	1	EXT	TANK DRAIN CAP ASSY

SCL FREE EVO 50B CBT + 2XGEL + BATTERY CHARGER -LAVOR- - Content filters: validity 08/10/2021

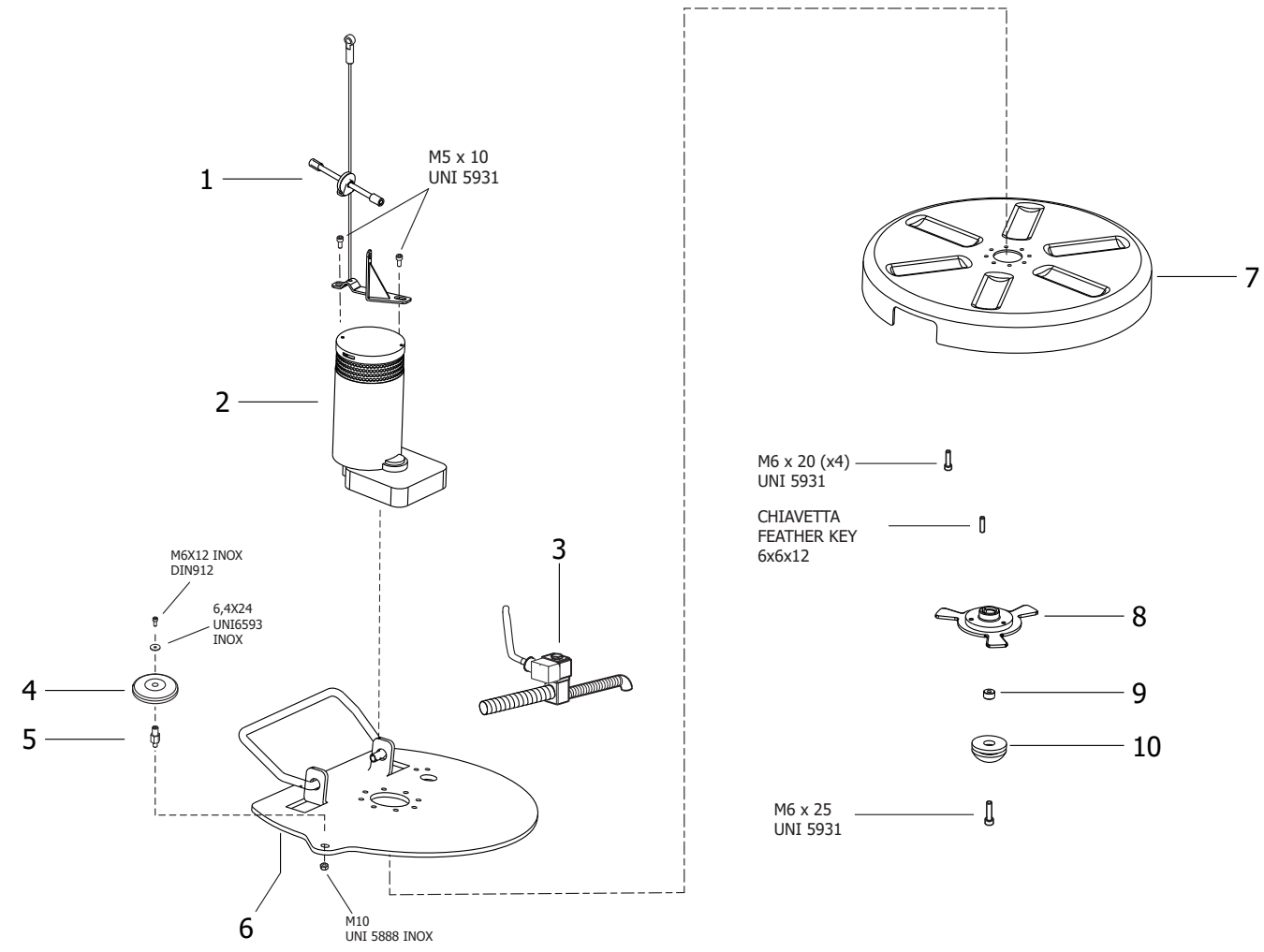


### R55111920 - ASSIEME SERBATOIO INFERIORE FREE B

Validity: from 16/10/2017 to 31/12/9999

08/10/2021

Page 13 / 53



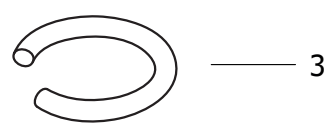
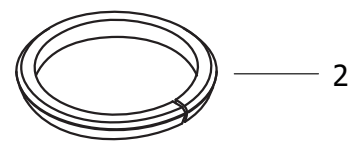
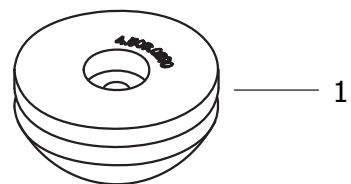
SCL FREE EVO 50B CBT + 2XGEL + BATTERY CHARGER -LAVOR- - Content filters: validity 08/10/2021

**R55092140 - GRUPPO PIATTO SPAZZOLA FREE EVO 50B-BT PIATTO MAGGIORATO C/ELETTROV.**

Validity: from 06/04/2016 to 31/12/9999

Pos.	Code	Substituted by	Q.ty	Purchasable	Min. Q.ty	For mainten.	Description
.	R55110867		1	No			ASSIEME SEMISFERA INNESTO SPAZZOLE
.	R55111978		1	No			ASSIEME ASSE CARRUCOLA FREE
.	R55111979		1	No			ASSIEME DISCO DI CENTRAGGIO FREE
.	R55111981		1	No			ASSIEME PIATTO + OMEGA FREE
.	R55111982		1	No			ASSIEME ELETTRORVALVOLA FREE BATTERIA
001	5.511.1978		1	Yes	1		ASSEMBY BATTERY MOTOR DYNAMIC
002	5.511.1977		1	Yes	1		ASSEMBY BATTERY MOTOR DYNAMIC
003	5.511.1982		1	Yes	1		ASSIEME ELETTRORVALVOLA FREE BATTERIA
004	4.508.0224		1	Yes	1	EXT	BUMPER WHEEL D.110 GREY
005	4.507.0308		1	Yes	1		SUPPORT FOR BUMPER WHEEL
006	5.511.1981		1	Yes	1		ASSEMBY BATTERY MOTOR DYNAMIC
007	4.508.1543		1	Yes	1		BRUSH COVER 50CM
008	5.511.1979		1	Yes	1		ASSEMBY BATTERY MOTOR DYNAMIC
009	4.507.1469		1	Yes	1		BUSHING
010	5.511.0867		1	Yes	1		BRUSH COUPLING ASSEMBLY

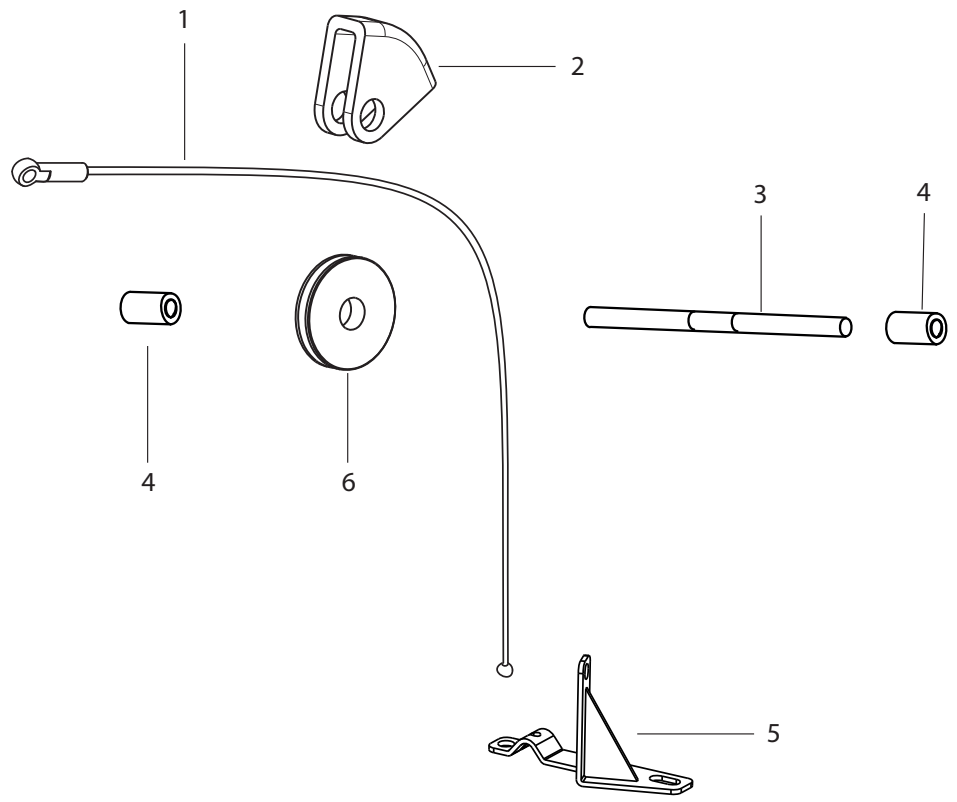
D55110867/01





Pos.	Code	Substituted by	Q.ty	Purchasable	Min. Q.ty	For mainten.	Description
001	4.508.0290		1	Yes	1		BRUSH COUPLING CENTERING BUSHI NG
002	4.508.0314		1	Yes	1		OPENED RING
003	3.200.0127		1	Yes	1		O-RING D=5.34

D55111978/01



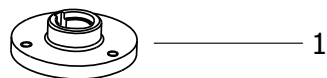
SCL FREE EVO 50B CBT + 2XGEL + BATTERY CHARGER -LAVOR- - Content filters: validity 08/10/2021

**R55111978 - ASSIEME ASSE CARRUCOLA FREE**

Validity: from 24/10/2017 to 31/12/9999

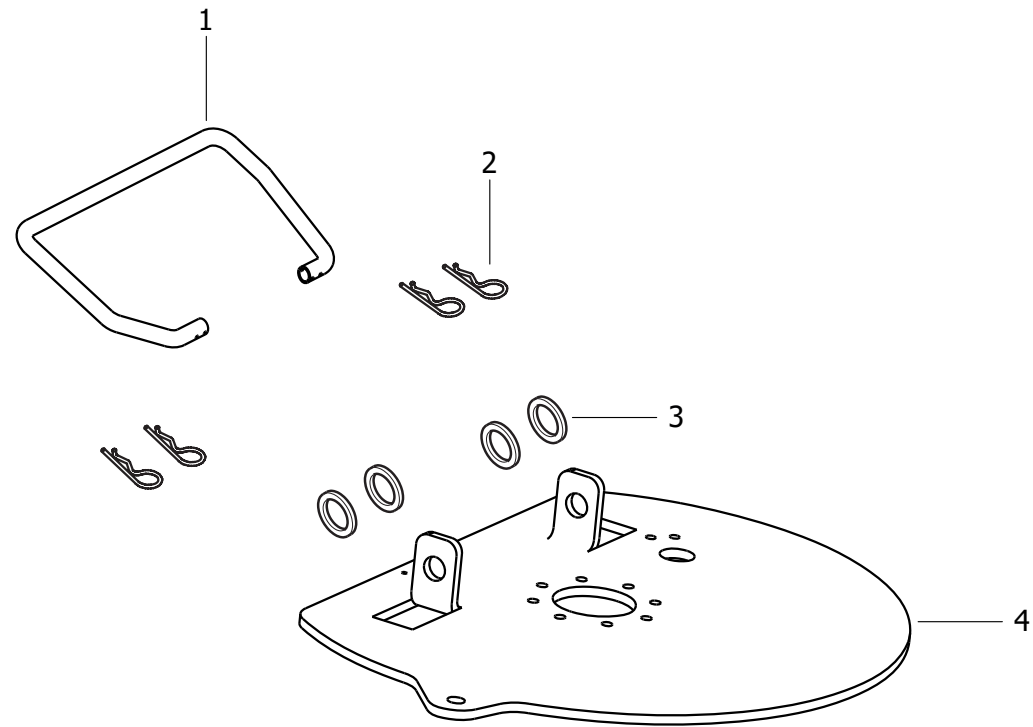
Pos.	Code	Substituted by	Q.ty	Purchasable	Min. Q.ty	For mainten.	Description
001	3.099.1730		1	Yes	1	EXT	S/S CABLE L=240mm
002	4.506.0142		1	Yes	1		PULLEY FORK
003	4.507.1018		1	Yes	1		PULLEY AXLE FOR FREE BRUSH PLATE
004	3.099.1160		0.027	Yes	1		TUBO IN GOMMA D.13 x d.7.5 1m
005	4.507.1482		1	Yes	1		BRACKET FOR MOTOR LIFTING CABLE-FREE EVO
006	4.506.0141		1	Yes	1		PULLEY

D55111979/01



Pos.	Code	Substituted by	Q.ty	Purchasable	Min. Q.ty	For mainten.	Description
001	4.507.1470		1	Yes	1		CONNECTION FLANGE
002	4.507.0300		1	Yes	1		BRUSH COUPLING

D55111981/01



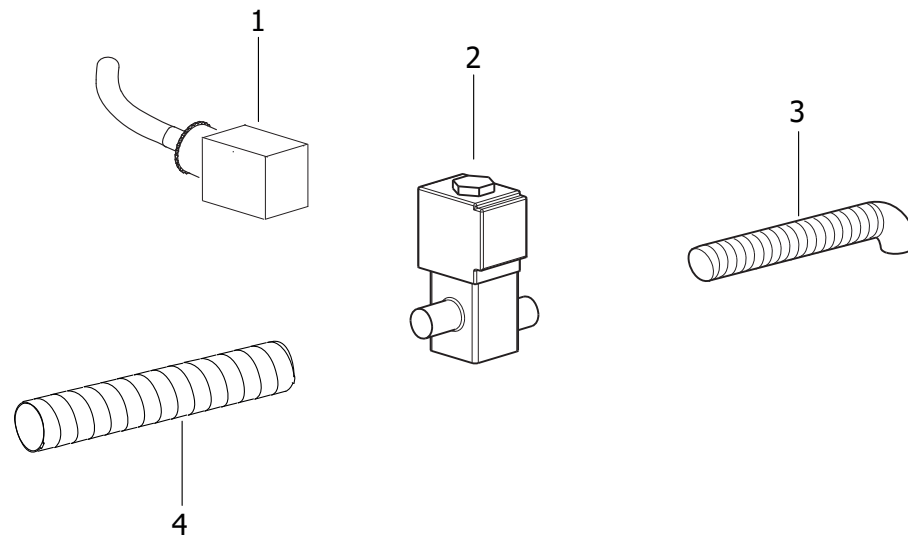
SCL FREE EVO 50B CBT + 2XGEL + BATTERY CHARGER -LAVOR- - Content filters: validity 08/10/2021

**R55111981 - ASSIEME PIATTO + OMEGA FREE**

Validity: from 24/10/2017 to 31/12/9999

Pos.	Code	Substituted by	Q.ty	Purchasable	Min. Q.ty	For mainten.	Description
001	4.507.1465		1	Yes	1		BRUSH PLATE LIFTING BAR - FREE EVO
002	3.099.1377		4	Yes	1		SPLIT PIN 2.5X25 UNI 1336
003	4.608.0106		4	Yes	1		ANTIEXTRUSION RING
004	4.507.1463		1	Yes	1		BRUSH PLATE

D55111982/01



SCL FREE EVO 50B CBT + 2XGEL + BATTERY CHARGER -LAVOR- - Content filters: validity 08/10/2021

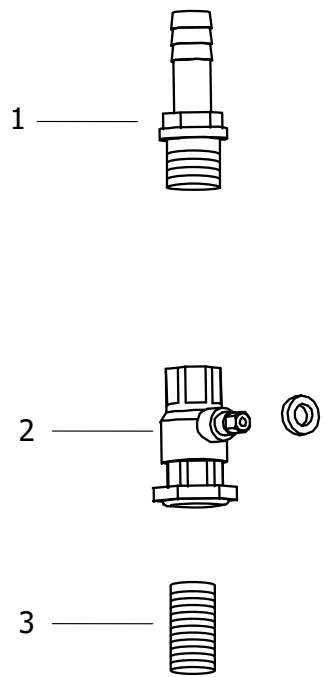
**R55111982 - ASSIEME ELETTROVALVOLA FREE BATTERIA**

Validity: from 24/10/2017 to 31/12/9999



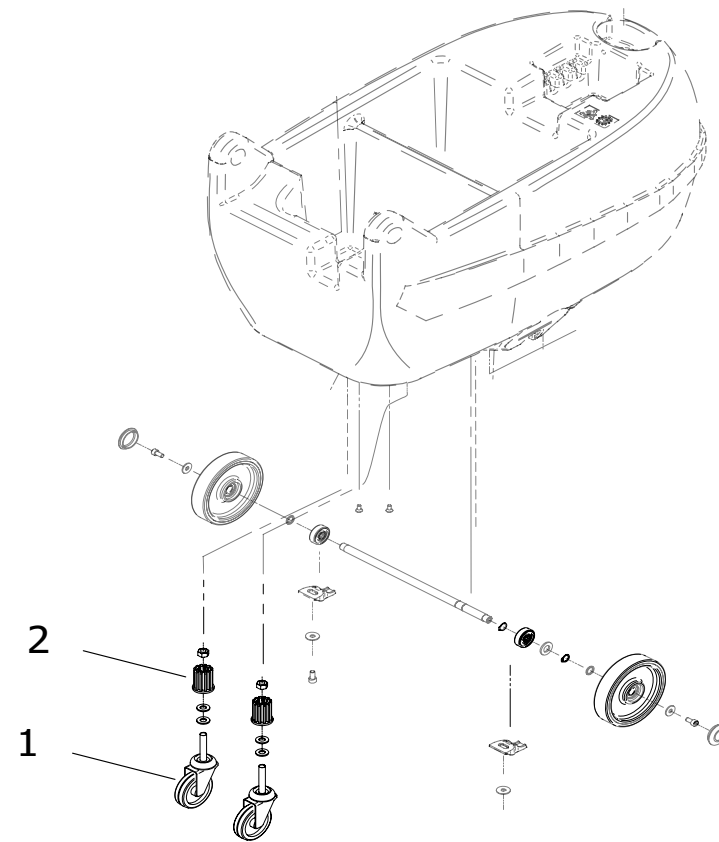
Pos.	Code	Substituted by	Q.ty	Purchasable	Min. Q.ty	For mainten.	Description
001	4.512.0071		1	Yes	1		CONNECTOR WITH CABLE
002	3.412.0044		1	Yes	1	EXT	SOLENOID VALVE 24V
003	3.099.0336		0.2	Yes	1		ARMOVIN HOSE ROLL
004	3.099.0336		0.45	Yes	1		ARMOVIN HOSE ROLL

D55110687/01



Pos.	Code	Substituted by	Q.ty	Purchasable	Min. Q.ty	For mainten.	Description
001	3.100.0339		1	Yes	1		HOSE FITTING UNION G3/8 D16
002	3.099.0868		1	Yes	1		BALL VALVE 3/8' F/F WITHOUT HANDLE
003	4.506.0150		1	Yes	1		THREADED BAR

D55110004/01



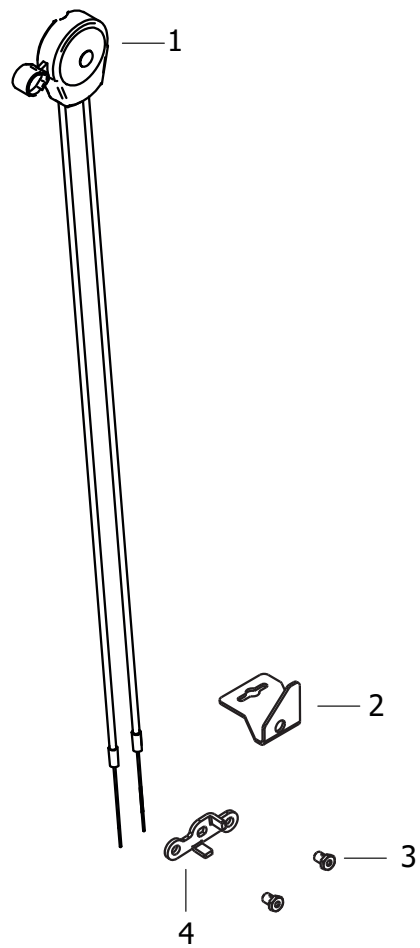
SCL FREE EVO 50B CBT + 2XGEL + BATTERY CHARGER -LAVOR- - Content filters: validity 08/10/2021

**R55111474 - ASSIEME RUOTA PIVOTANTE FREE/SWIFT**

Validity: from 09/05/2016 to 31/12/9999

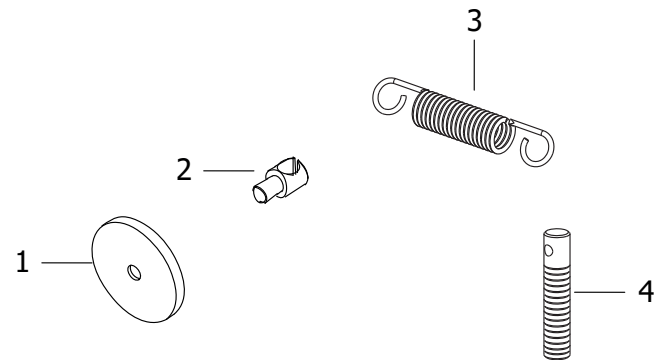
Pos.	Code	Substituted by	Q.ty	Purchasable	Min. Q.ty	For mainten.	Description
001	3.006.0128		1	Yes	1	EXT	REVOLVING WHEEL D.80 OIL-PROOF +SCREW M12X80
002	4.508.0866	5.511.1359	1	Yes	1		WHEEL SUPPORT

D55111891/01



Pos.	Code	Substituted by	Q.ty	Purchasable	Min. Q.ty	For mainten.	Description
001	3.099.1249		1	Yes	1	EXT	COMPLETE CONTROL WATER
002	4.507.1172		1	Yes	1		LOWER SUPPORT FOR WATER COCK 2 STEEL CABLE
003	4.507.0709		2	Yes	1		PIN FOR WATER TAP
004	4.507.1170		1	Yes	1		LEVER FOR WATER TAP FREE

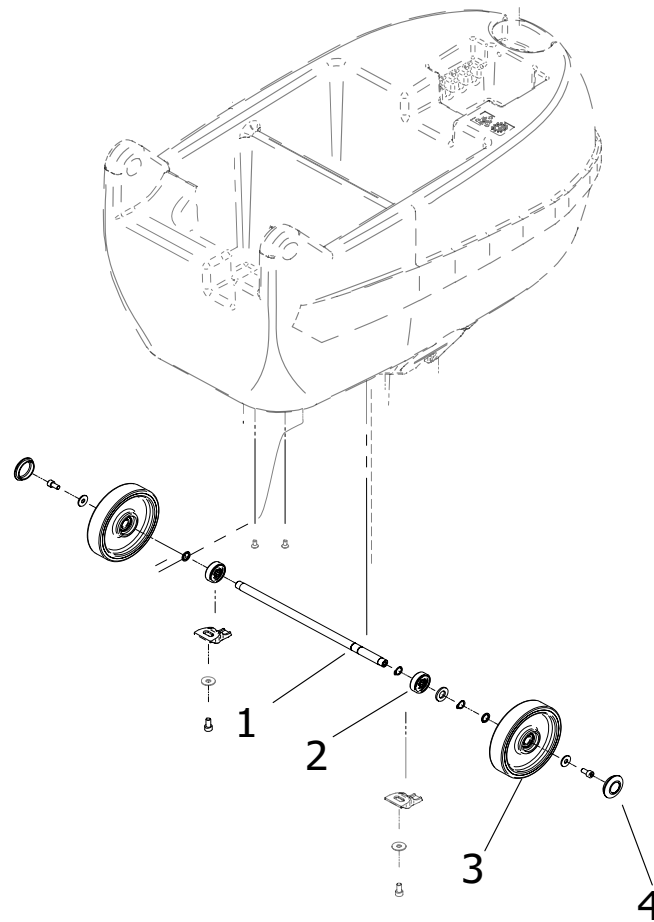
D55111895/01





Pos.	Code	Substituted by	Q.ty	Purchasable	Min. Q.ty	For mainten.	Description
001	4.507.1221		1	Yes	1		WASHER
002	4.506.0034		1	Yes	1		PIN FOR SPRING COUPLING
003	4.507.0966		1	Yes	1		TRACTION SPRING
004	4.507.1057		1	Yes	1		ADJUSTING PIN - SWIFT

D55110003/01



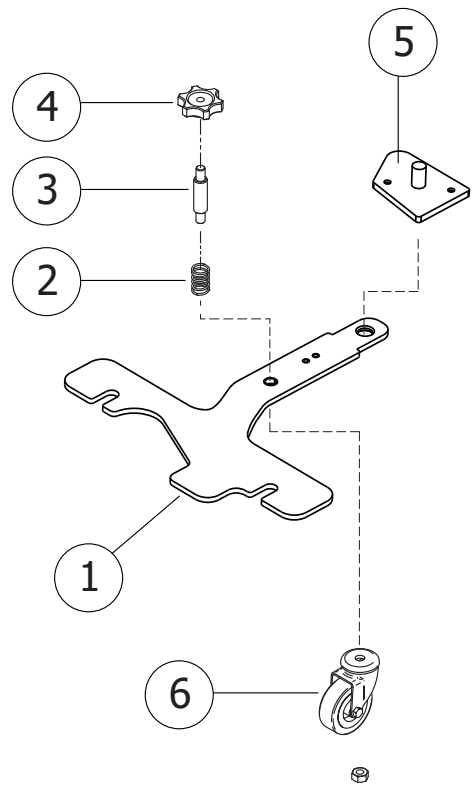
SCL FREE EVO 50B CBT + 2XGEL + BATTERY CHARGER -LAVOR- - Content filters: validity 08/10/2021

**R55110939 - ASSIEME ASSALE NON TRAZIONATO FREE/SWIFT**

Validity: from 08/01/2018 to 31/12/9999

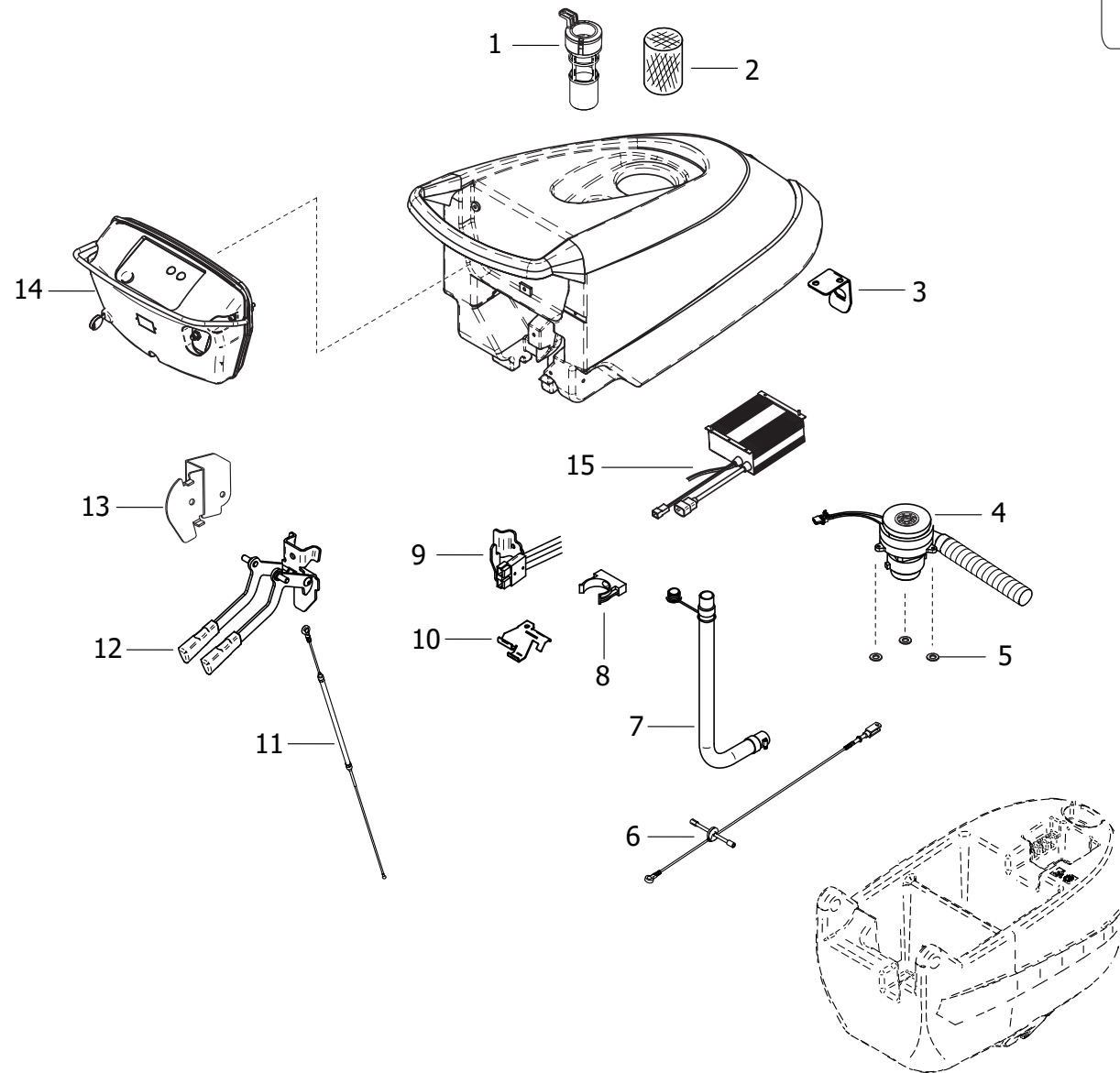
Pos.	Code	Substituted by	Q.ty	Purchasable	Min. Q.ty	For mainten.	Description
001	4.507.1602		1	Yes	1		WHEEL SHAFT
002	4.508.0687		2	Yes	1		AXLE SUPPORT
003	3.006.0178		2	Yes	1	EXT	WHEEL D.160
004	3.099.1066		2	Yes	1		CAP FOR WHEEL - GREY

D55111882/01



Pos.	Code	Substituted by	Q.ty	Purchasable	Min. Q.ty	For mainten.	Description
001	4.507.1478		1	Yes	1		SQUEEGEE SUPPORT
002	4.507.1076		1	Yes	1		SPRING
003	4.507.1385		1	Yes	1		ADJUSTING PIN
004	3.099.1189		1	Yes	1		KNOB M8 H26
005	5.513.0299		1	Yes	1		SQUEEGEE SUPPORT PIN
006	3.006.0076		1	Yes	1	EXT	SQUEEGEE WHEEL (D.50)

D55111923/03

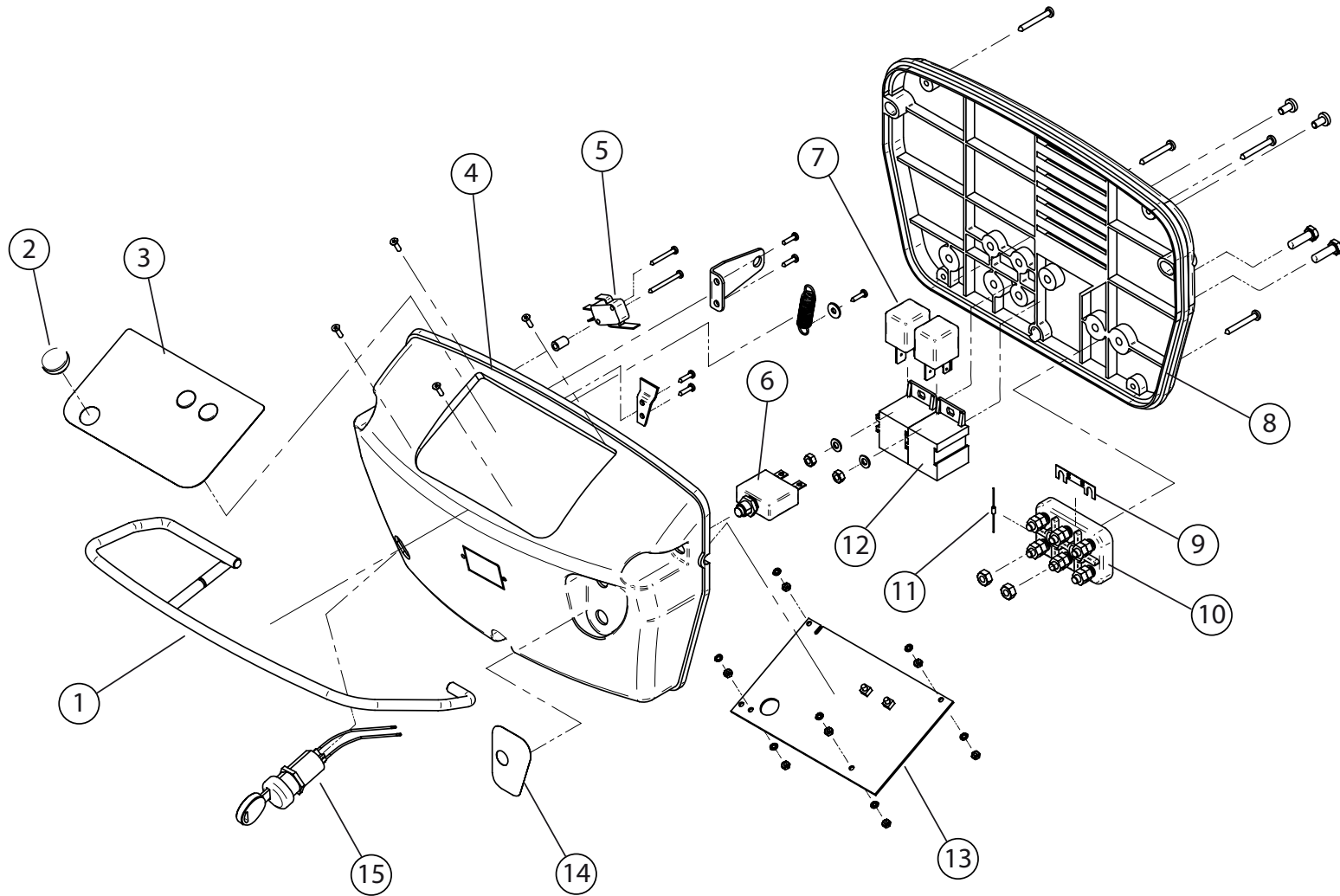


SCL FREE EVO 50B CBT + 2XGEL + BATTERY CHARGER -LAVOR- - Content filters: validity 08/10/2021

**R55111923 - ASSIEME SERBATOIO SUPERIORE FREE B+CBT**

Validity: from 16/10/2017 to 31/12/9999

Pos.	Code	Substituted by	Q.ty	Purchasable	Min. Q.ty	For mainten.	Description
.	R55110672		1	No			SCATOLA ELETTRICA CABLATA B (FREE EVO)
.	R55111655		1	No			ASSIEME TUBO DI SCARICO C/TAPPO E FASCETTA
.	R55111890		1	No			ASSIEME LEVE ALZA PIATTO/SQUEEGEE FREE
.	R55111894		1	No			ASSIEME CARRUCOLA FREE
..	R55111896		1	No			ASSIEME STAFFA C/CAVO SPINA ANDERSON FREE
...	R55111898		1	No			ASSIEME MOTORE ASPIRAZIONE FREE BATTERIA
001	5.511.1656		1	Yes	1		FLOAT ASSEMBLY
002	4.508.1652		1	Yes	1		CIRCULAR AIRFOAM GASKET
003	4.507.0700		1	Yes	1		CLAMP FOR TANK LOCKING
004	5.511.1898		1	Yes	1		SUCTION MOTOR ASSEMBLY FREE
005	4.508.1323		3	Yes	1		MOTOR SPACER
006	5.511.1894		1	Yes	1		PULLEY ASSEMBLY
007	5.511.1655		1	Yes	1	EXT	EXHAUST PIPE ASSEMBLY
008	3.099.0343		1	Yes	1		HOSE HOLDER D. 40
009	5.511.1896		1	Yes	1		BRACKET FOR ANDERSON PLUG ASSEMBLY FREE
010	4.507.0699		1	Yes	1		PROTECTION FOR CABLE
011	3.099.1329	5.511.1331	1	Yes	1	EXT	SQUEEGEE LIFT CABLE
012	5.511.1890		1	Yes	1		LEVES ASSEMBLY FREE
013	4.507.1174		1	Yes	1		SUPPORT FOR MINIMONEY FREE
014	5.511.0672		1	Yes	1		ELECTRIC BOX WITH HARNESS
015	0.108.0042		1	Yes	1	EXT	BATTERY CHARGER NE286 24V 10A



SCL FREE EVO 50B CBT + 2XGEL + BATTERY CHARGER -LAVOR- - Content filters: validity 08/10/2021

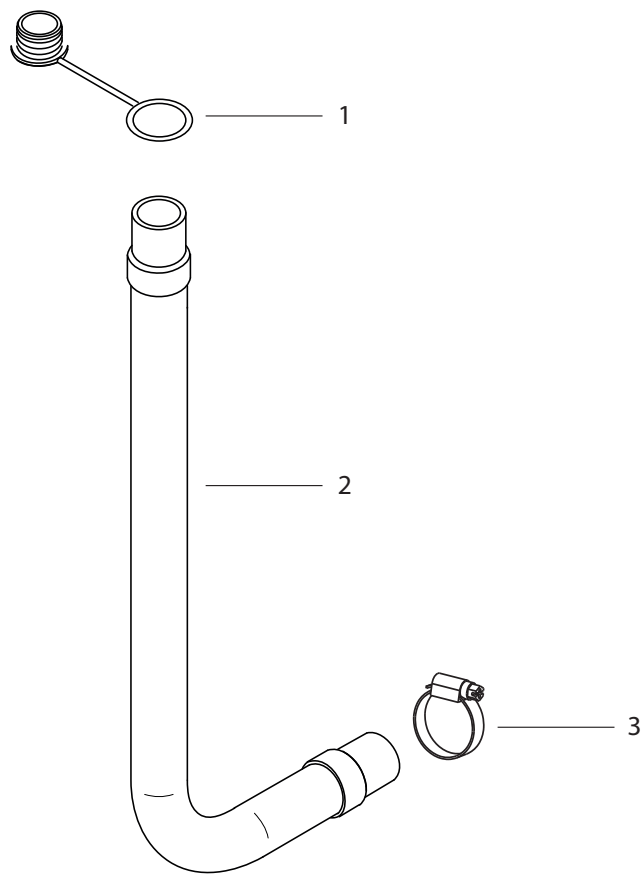
**R55110672 - SCATOLA ELETTRICA CABLATA B (FREE EVO)**

Validity: from 06/04/2016 to 31/12/9999



Pos.	Code	Substituted by	Q.ty	Purchasable	Min. Q.ty	For mainten.	Description
001	4.507.0706		1	Yes	1		LEVER
002	3.099.1529		1	Yes	1		COVER PLUG D. 20
003	7.503.0132		1	Yes	1		CONTROL STICKE 145X87 MM
004	4.508.0396		1	Yes	1		ELECTRIC BOX COVER
005	3.401.0113		1	Yes	1	EXT	MICROSWITCH SAIA XGO2-88-J24
006	3.401.0119		1	Yes	1	EXT	THERMAL CIRCUIT BREAKER 25A
007	3.402.0017		2	Yes	1	EXT	RELAY AUTOMOTIVE CB1AH-24V 70A
008	4.508.0397		1	Yes	1		ELECTRIC BOX SUPPORT
009	3.499.0135		1	Yes	1	EXT	STRIP FUSE 60A
010	6.505.0071		1	Yes	1		KIT RICAMBIO MORSETTIERA 34050045 COMPLETA
011	3.499.0276		2	Yes	1		DIODE TYPE 1N4007
012	3.410.0022		2	Yes	1		RELAY SUPPORT FOR CB1AH
013	4.515.0002		1	Yes	1	EXT	CONTROL BOARD 24V
014	7.503.0131		1	Yes	1		LABEL
015	5.511.1841		1	Yes	1		KIT REPLACEMENT KEY

D55111655/01



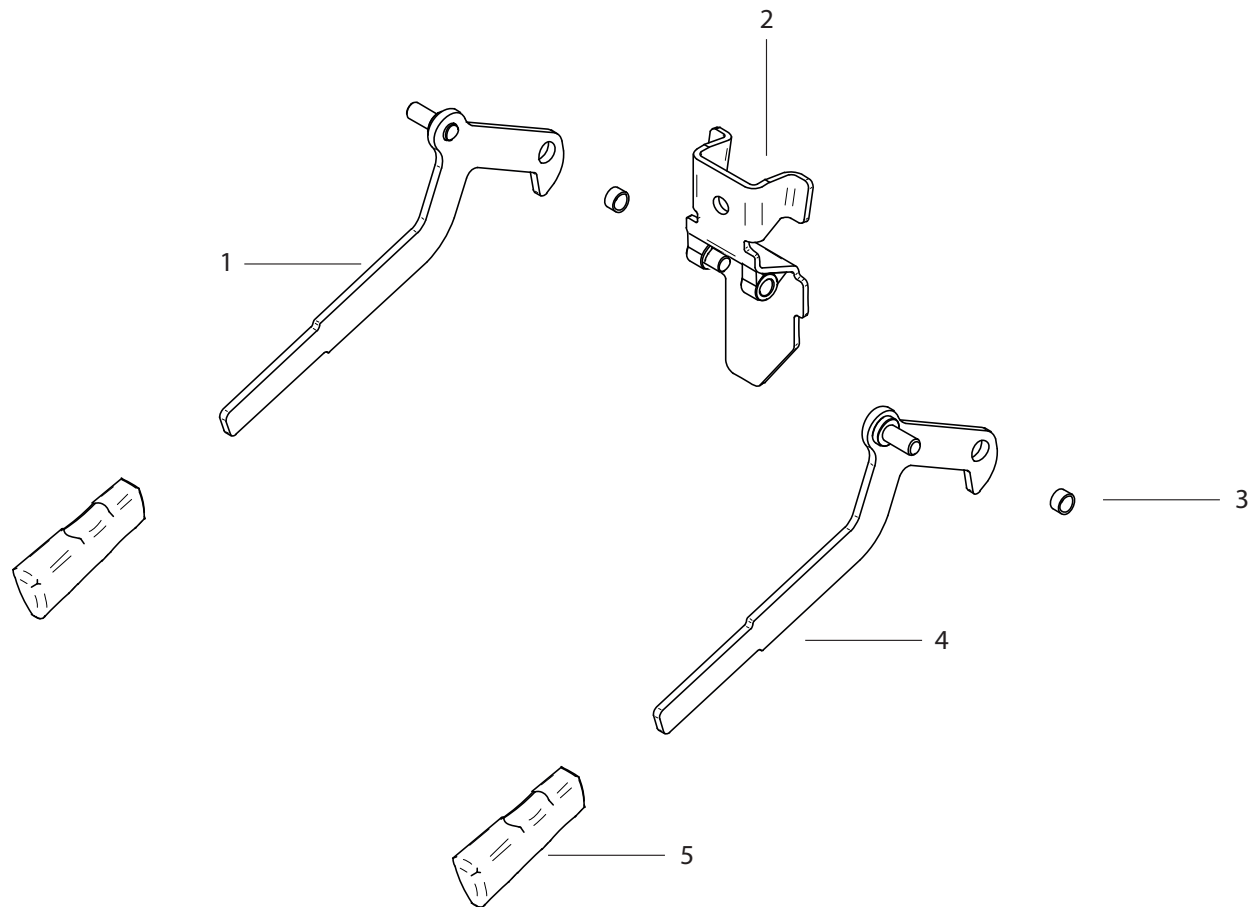
SCL FREE EVO 50B CBT + 2XGEL + BATTERY CHARGER -LAVOR- - Content filters: validity 08/10/2021

**R55111655 - ASSIEME TUBO DI SCARICO C/TAPPO E FASCETTA**

Validity: from 12/05/2016 to 31/12/9999

Pos.	Code	Substituted by	Q.ty	Purchasable	Min. Q.ty	For mainten.	Description
001	4.208.0274		1	Yes	1	EXT	DIAM.32mm CAP
002	3.752.0060		1	Yes	1	EXT	DRAIN HOSE D.32
003	3.099.0742		1	Yes	1		METAL BAND 25-45

D55111890/01



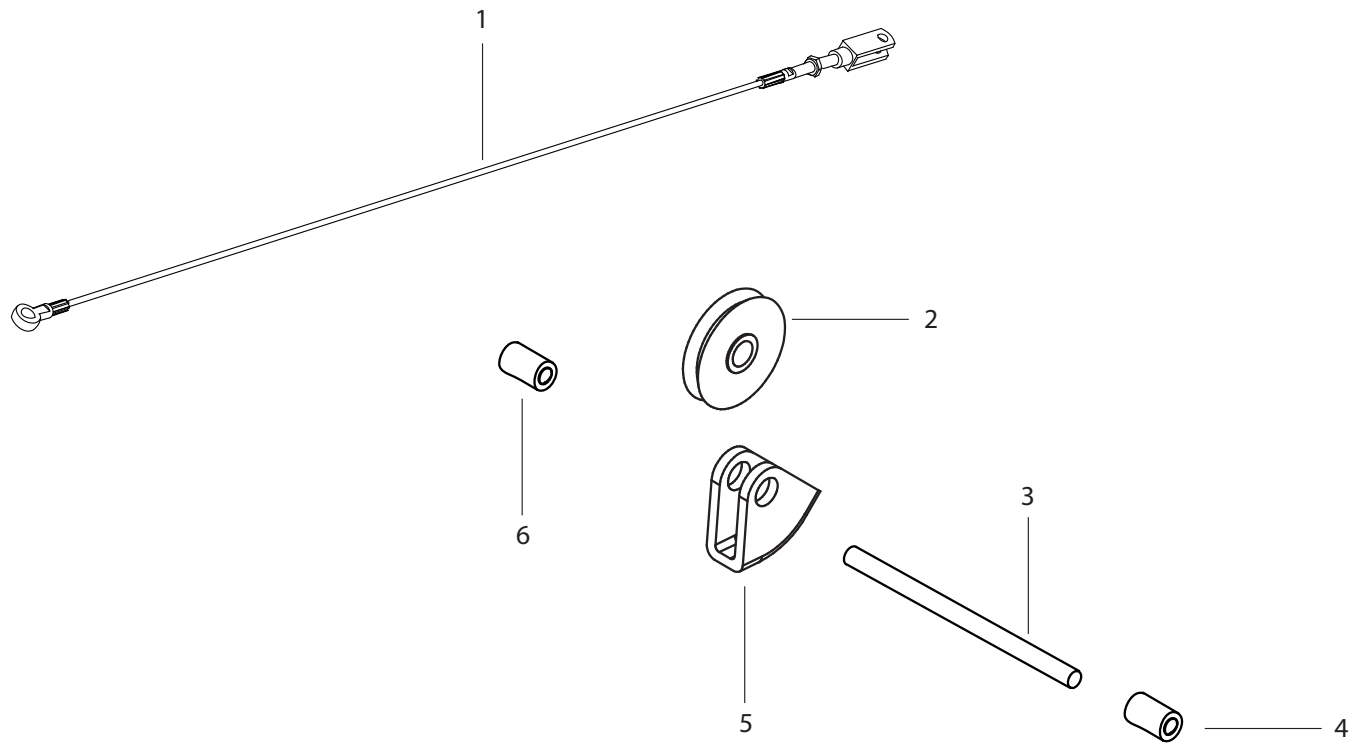
SCL FREE EVO 50B CBT + 2XGEL + BATTERY CHARGER -LAVOR- - Content filters: validity 08/10/2021

**R55111890 - ASSIEME LEVE ALZA PIATTO/SQUEEGEE FREE**

Validity: from 06/04/2016 to 31/12/9999

Pos.	Code	Substituted by	Q.ty	Purchasable	Min. Q.ty	For mainten.	Description
001	5.513.0133		1	Yes	1		BRUSH PLATE LIFTING ASSEMBLY
002	5.513.0134		1	Yes	1		LEVER SUPPORT
003	4.507.0845		2	Yes	1		SPACER FOR LEVER
004	5.513.0132		1	Yes	1		SQG LIFTING LEVER ASSEMBLY
005	4.508.0971		2	Yes	1		HANDLE SPECIAL LEVEL (15X4)

D55111894/01



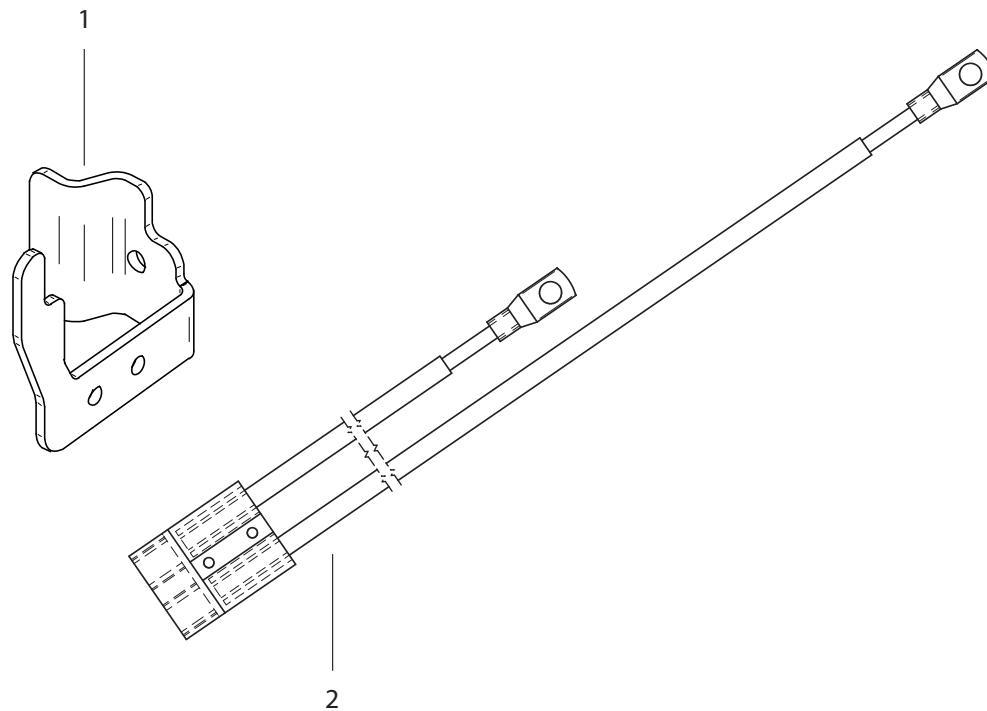
SCL FREE EVO 50B CBT + 2XGEL + BATTERY CHARGER -LAVOR- - Content filters: validity 08/10/2021

**R55111894 - ASSIEME CARRUCOLA FREE**

Validity: from 06/04/2016 to 31/12/9999

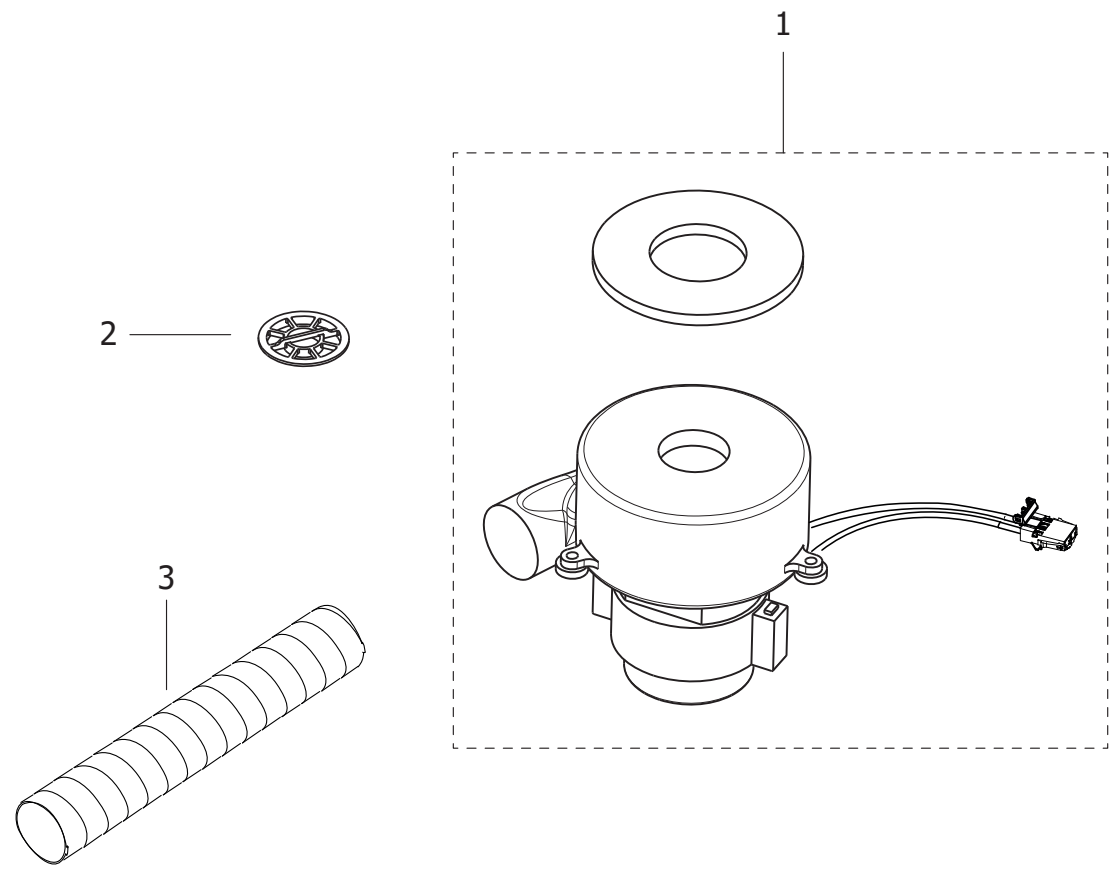
Pos.	Code	Substituted by	Q.ty	Purchasable	Min. Q.ty	For mainten.	Description
001	3.099.0881		1	Yes	1		CABLE D.2,5x133 L=685
002	4.506.0141		1	Yes	1		PULLEY
003	4.507.0708		1	Yes	1		PIN FOR PULLEY L=118
004	3.099.1010		1	Yes	1		RETAINER FOR SHAFT SWIFT B L=2 5
005	4.506.0142		1	Yes	1		PULLEY FORK
006	3.099.1010		1	Yes	1		RETAINER FOR SHAFT SWIFT B L=2 5

D55111896/01





Pos.	Code	Substituted by	Q.ty	Purchasable	Min. Q.ty	For mainten.	Description
001	4.507.0635		1	Yes	1		BRACKET FOR ANDERSON PLUG
002	5.511.0703		1	Yes	1		BATTERY CONNECTION CABLE ASSEM BLY



Pos.	Code	Substituted by	Q.ty	Purchasable	Min. Q.ty	For mainten.	Description
001	6.505.0096		1	Yes	1		KIT MOTORE ASPIRAZIONE SWIFT/FREE B E KRON ZERO/XS-R
002	4.508.0518		1	Yes	1		PROTECTION

Code	Parts Table	Pos.	Q.ty
0.108.0025	R85270010	005	1
0.108.0042	R55111923	015	1
3.006.0076	R55111882	006	1
3.006.0128	R55111474	001	1
3.006.0178	R55110939	003	2
3.099.0307	R55111930	007	1
3.099.0336	R55111982	003	0.2
	R55111982	004	0.45
3.099.0343	R55111923	008	1
3.099.0467	R55111795	009	2
3.099.0647	R55111886	005	1
3.099.0742	R55111655	003	1
3.099.0868	R55110687	002	1
3.099.0881	R55111894	001	1
3.099.1010	R55111894	004	1
	R55111894	006	1
3.099.1066	R55110939	004	2
3.099.1160	R55111978	004	0.027
3.099.1189	R55111882	004	1
3.099.1249	R55111891	001	1
3.099.1329	R55111923	011	1
3.099.1377	R55111981	002	4
3.099.1529	R55110672	002	1
3.099.1730	R55111978	001	1
3.099.1854	R55111886	003	0.17
	R55111886	004	0.78
3.099.1900	R55111795	008	2
3.100.0339	R55110687	001	1
3.102.0026	R55111920	007	1
3.200.0127	R55110867	003	1
3.200.0168	R55111795	003	1

Code	Parts Table	Pos.	Q.ty
3.200.0172	R55111795	006	1
3.401.0113	R55110672	005	1
3.401.0119	R55110672	006	1
3.402.0017	R55110672	007	2
3.410.0022	R55110672	012	2
3.412.0044	R55111982	002	1
3.499.0135	R55110672	009	1
3.499.0276	R55110672	011	2
3.752.0060	R55111655	002	1
4.208.0274	R55111655	001	1
4.505.0866	R55111795	001	1
4.506.0034	R55111895	002	1
4.506.0141	R55111894	002	1
	R55111978	006	1
4.506.0142	R55111894	005	1
	R55111978	002	1
4.506.0150	R55110687	003	1
4.507.0300	R55111979	002	1
4.507.0308	R55092140	005	1
4.507.0635	R55111896	001	1
4.507.0699	R55111923	010	1
4.507.0700	R55111923	003	1
4.507.0701	R55111930	005	1
4.507.0706	R55110672	001	1
4.507.0707	R55111930	006	1
4.507.0708	R55111894	003	1
4.507.0709	R55111891	003	2
4.507.0713	R55111886	002	1
4.507.0793	R55111920	008	2
4.507.0845	R55111890	003	2
4.507.0854	R55111930	002	1

Code	Parts Table	Pos.	Q.ty
4.507.0966	R55111895	003	1
4.507.1018	R55111978	003	1
4.507.1057	R55111895	004	1
4.507.1076	R55111882	002	1
4.507.1170	R55111891	004	1
4.507.1172	R55111891	002	1
4.507.1174	R55111923	013	1
4.507.1221	R55111895	001	1
4.507.1385	R55111882	003	1
4.507.1463	R55111981	004	1
4.507.1465	R55111981	001	1
4.507.1469	R55092140	009	1
4.507.1470	R55111979	001	1
4.507.1478	R55111882	001	1
4.507.1482	R55111978	005	1
4.507.1602	R55110939	001	1
4.508.0224	R55092140	004	1
	R55111795	010	2
4.508.0290	R55110867	001	1
4.508.0314	R55110867	002	1
4.508.0396	R55110672	004	1
4.508.0397	R55110672	008	1
4.508.0477	R55111920	002	1
4.508.0505	R55111795	004	1
4.508.0518	R55111898	002	1
4.508.0552	R55111886	001	1
4.508.0687	R55110939	002	2
4.508.0689	R55111920	010	2
4.508.0738	R55111930	004	2
4.508.0739	R55111920	003	1
4.508.0803	R55111930	003	2

Code	Parts Table	Pos.	Q.ty
4.508.0866	R55111474	002	1
4.508.0971	R55111890	005	2
4.508.1064	R55111930	008	1
4.508.1323	R55111923	005	3
4.508.1543	R55092140	007	1
4.508.1552	R55111795	007	1
4.508.1554	R85270010	008	1
4.508.1652	R55111923	002	1
4.508.X467	R55111795	005	1
4.508.X468	R55111795	002	1
4.512.0071	R55111982	001	1
4.515.0002	R55110672	013	1
4.608.0106	R55111981	003	4
5.509.0629	R55111930	001	1
5.509.2140	R55111920	005	1
5.511.0672	R55111923	014	1
5.511.0687	R55111920	006	1
5.511.0703	R55111896	002	1
5.511.0867	R55092140	010	1
5.511.0937	R55111920	013	1
5.511.0939	R55111920	009	1
5.511.1474	R55111920	011	2
5.511.1655	R55111923	007	1
5.511.1656	R55111923	001	1
5.511.1823	R55111795	011	1
5.511.1841	R55110672	015	1
5.511.1882	R55111920	012	1
5.511.1890	R55111923	012	1
5.511.1891	R55111920	001	1
5.511.1894	R55111923	006	1
5.511.1895	R55111920	004	1

Code	Parts Table	Pos.	Q.ty
5.511.1896	R55111923	009	1
5.511.1898	R55111923	004	1
5.511.1977	R55092140	002	1
5.511.1978	R55092140	001	1
5.511.1979	R55092140	008	1
5.511.1981	R55092140	006	1
5.511.1982	R55092140	003	1
5.511.2167	R85270010	006	1
5.513.0132	R55111890	004	1
5.513.0133	R55111890	001	1
5.513.0134	R55111890	002	1
5.513.0299	R55111882	005	1
6.505.0071	R55110672	010	1
6.505.0096	R55111898	001	1
7.503.0131	R55110672	014	1
7.503.0132	R55110672	003	1