



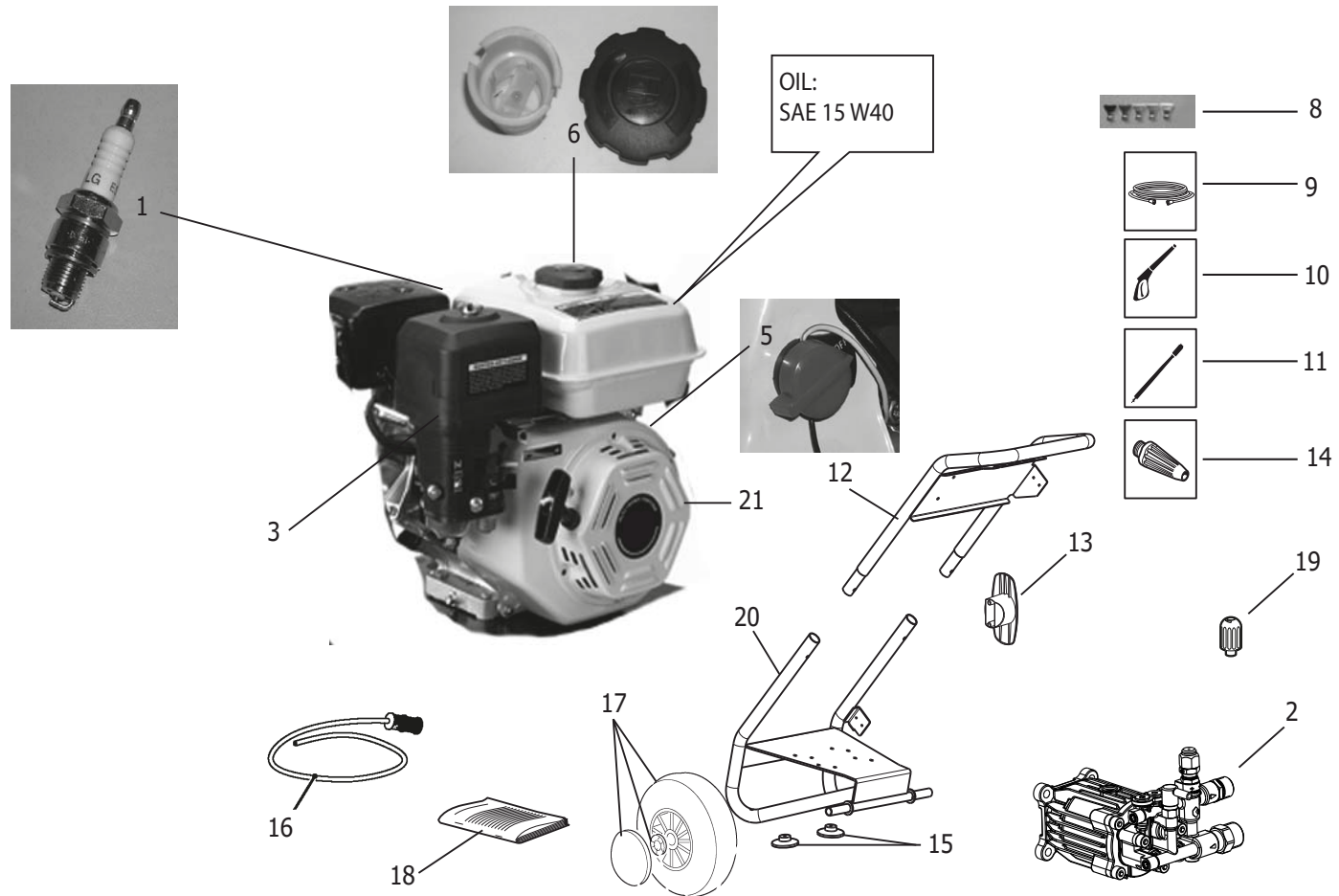
HPC INDEPENDENT 2700 EU -Y- LWS (6.5HP)

Content filters: validity 26/03/2018

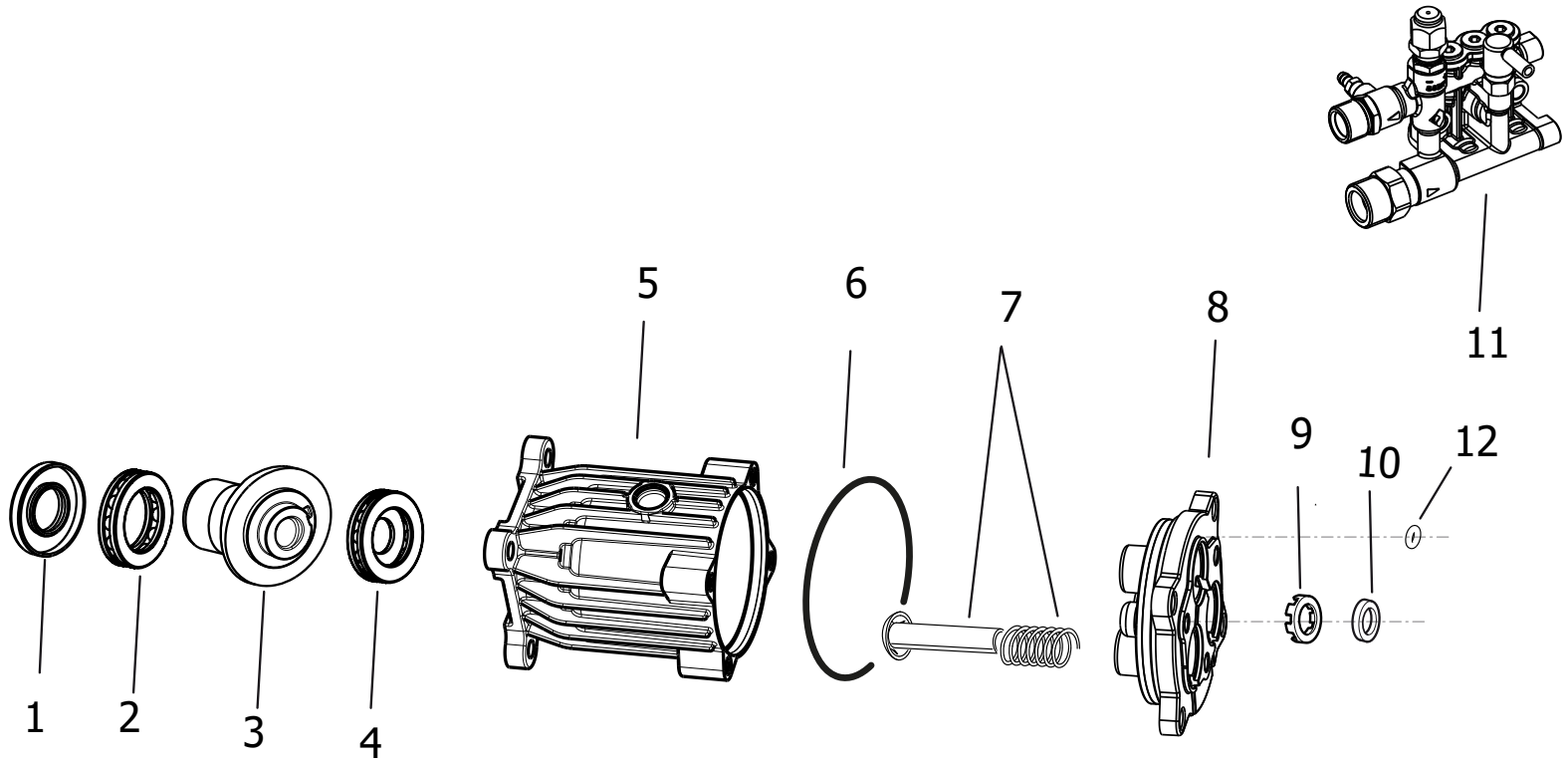
26/03/2018

8.601.0189C - HPC INDEPENDENT 2700 EU -Y- LWS (6.5HP).....	3
R86010189C - IDRO INDEPENDENT 2700 EU -G- LWS (6.5HP).....	4
R50990118 - GRUPPO POMPA VERS. 2PZ TPAH4 12Â° C/IN. VALV.TERM. IN 3/4 TH'15.....	6
R50080304 - TESTATA OMNIA 12 ALL. TH'15 C/IN. USC.M22-INGR.3/4"-EASY STARTER.....	8

Pos.	Code	Description
0	R86010189C	IDRO INDEPENDENT 2700 EU -G- LWS (6.5HP)



Pos.	Code	Substituted by	Q.ty	Purchasable	Min. Q.ty	For mainten.	Description
0	R50990118		1	No			GRUPPO POMPA VERS. 2PZ TPAH4 12Â° C/IN. VALV.TERM. IN 3/4 TH'15
001	3.650.0039		1	Yes	1		SPARK PLUG F6 TC 168F-5.5HP(r.34200)
002	5.099.0118		1	Yes	1		PUMP ASSEMBLY (2PCS) TPAH4 12°W/SUCTION-THERM.VALVE 3/4 TH.
003	3.650.0047		1	Yes	1		AIR FILTER ASSEMBLY (r.17100)
005	3.650.0015		1	Yes	4	EXT	IGNITION SWITCH 154F-2.5HP 168F-5.5HP (r.35410)
006	6.605.0094		1	Yes	1	EXT	CAP+GASOIL FILTER KIT
008	5.012.0535		1	Yes	1		KIT FOR INDEPENDENT 2700
009	4.618.0128		1	Yes	1	EXT	HIGH PRESSURE HOSE 200bar D.15L.8000
010	6.001.0082	6.001.0050	1	No		EXT	GUN 1/4'-M22 23MPa 25l/min WITH YELLOW HANDLE PANT.109C
011	6.002.0322		1	Yes	1	EXT	METAL LANCE NOZZLE HOLDER QUICK COUPLING-M22
012	5.011.0094		1	Yes	1		COMPLETE HANDLE WITH RUBBER GUIDE NOZZLE+SPRINGS -BLACK-
013	4.008.0789		1	Yes	3		HOSE REEL TIGER
015	3.099.1648		2	Yes	12		FOOT FOR HOSE TH.5.5/6.5 D.25
016	5.012.0003		1	Yes	6		ASS.DETERGENT SUCTION FILTER HOSE MT.1
017	3.006.0159		2	Yes	1		RUBBER COATED WHEEL ANTI SKIDDING (MARSHALL 2300)
018	7.100.2091		1	Yes	1		MANUAL INDEPENDENT 2700 LWS
019	6.605.0161		1	Yes	2		KIT EXTENSION FOR PRESSURE ADJUSTING KNOB FOR OMNIA HEAD
020	5.009.0999		1	Yes	1		BLACK COMPLETE FRAME W/PIN INDEPENDENT 2700
021	3.600.0032		1	Yes	1		ENGINE 6,5HP R TYPE (Q) -YELLOW-



HPC INDEPENDENT 2700 EU -Y- LWS (6.5HP) - Content filters: validity 26/03/2018

R50990118 - GRUPPO POMPA VERS. 2PZ TPAH4 12Â° C/IN. VALV.TERM. IN 3/4 TH'15

Validity: from 10/12/2015 to 31/12/9999

Pos.	Code	Substituted by	Q.ty	Purchasable	Min. Q.ty	For mainten.	Description
0	R50080304		1	No			TESTATA OMNIA 12 ALL. TH'15 C/IN. USC.M22-INGR.3/4"-EASY STARTER
001	3.201.0070		1	Yes	3		OIL SEAL SHAFT D.50X35X7 DIN -A- VITON
002	6.005.0567		1	Yes	2	EXT	KIT THRUST SHOE + THRUST RINGD.64
003	4.605.0160		1	Yes	1		WOBBLE PLATE D.19 12° THERMIC2015 ORIZ.
004	6.005.0568		1	Yes	2	EXT	KIT THRUST SHOE + THRUST RINGD.65
005	4.605.0159		1	Yes	1		BODY GUIDE FLANGE ORIZ. TH THERMIC 2015
006	3.200.0130		1	Yes	12		GASKET OR 67x2,50 NBR SH.70
007	6.005.0566		1	Yes	1	EXT	KIT PISTONS + SPRINGS
008	4.605.0158		1	Yes	1		BODY GUIDE D.12 THERMIC '15
009	4.008.0657		3	Yes	12		OIL SPACER D.12
010	3.201.0067		3	Yes	3		OIL SEAL RING D.12X20X6 16 VSOKC4
011	5.008.0304		1	Yes	1		TH'15 HEAD W/INJECTOR-OUTLET M22- INLET 3/4"-EASY STARTER
012	3.200.0049		1	Yes	12		O-RING 4.48X1.78

HPC INDEPENDENT 2700 EU -Y- LWS (6.5HP) - Content filters: validity 26/03/2018

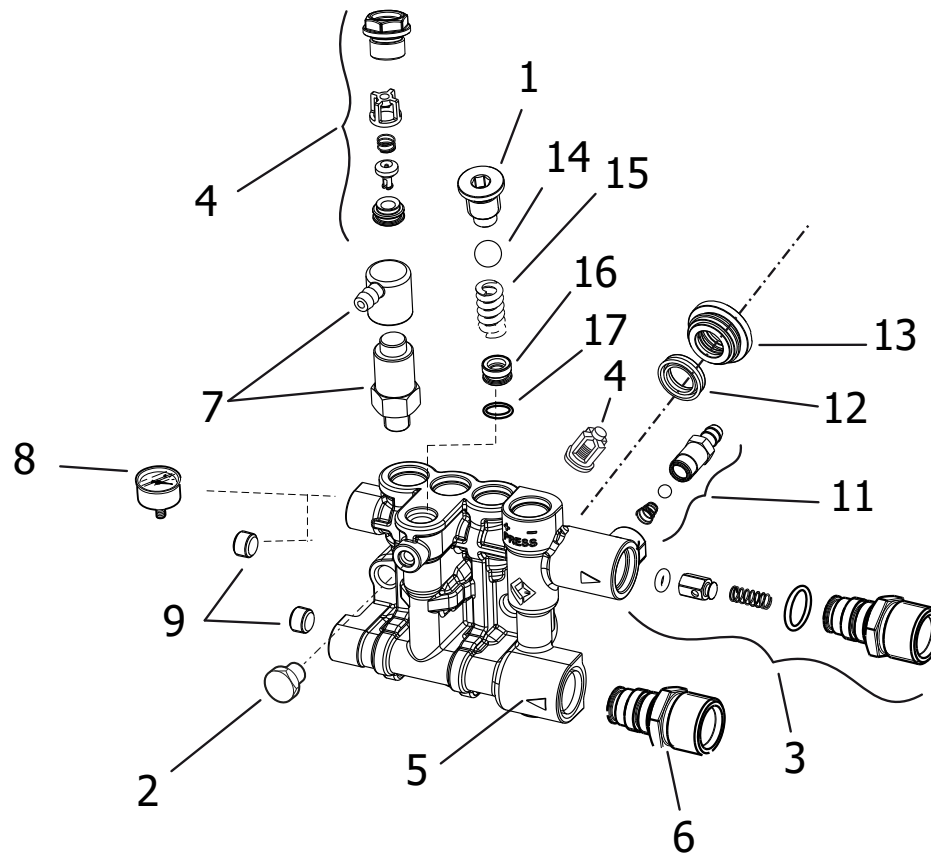


R50990118 - GRUPPO POMPA VERS. 2PZ TPAH4 12Â° C/IN. VALV.TERM. IN 3/4 TH'15

Validity: from 10/12/2015 to 31/12/9999

26/03/2018

Page 7 / 9



Pos.	Code	Substituted by	Q.ty	Purchasable	Min. Q.ty	For mainten.	Description
001	5.009.1004		1	Yes	6		M10X1.25 HEXAGONAL SOCKET NUTWITH O-RING
002	5.009.1005		1	Yes	6		M5 HEXAGONAL NUT WITH O-RING
003	6.005.0335		1	Yes	1		KIT 307 INJECTOR 1,8
004	6.005.0565		1	Yes	2		KIT 6 SUCTION VALVE WITH BRASSVALVE SEATS+THREAD CAPS PT'03
005	4.605.0114		1	Yes	1		HEAD PISTONS D.12 THERMIC ORIZ.12-10
006	4.605.0116		1	Yes	3		INLET CONNECTION 3/4M-3/8M WITH BRASS TREATMENT (TH.6.5)
007	3.106.0024		1	Yes	1		G1/8" THERMAL VALVE WITH CAP 60°C
009	4.006.0109		2	Yes	3		TAPERED 1/8 CAP
011	6.005.0030		1	Yes	1	EXT	KIT 28 LAVOR DETERGENT'S SUCTION
012	6.005.0425		1	Yes	2	ORD	WATER SEAL FOR TPBH '10 HEAD
013	5.609.0321		3	Yes	3		SECOND SEAL BUSH ASSEMBLY WITHO-RING (TERMIC 2015)
014	3.005.0017		1	Yes	12		BALL D.8 INOX AISI 304
015	4.607.0884		1	Yes	1		SPRING L=6.1 d.0.8 Dm.4 EASY STARTER FOR HORIZ. THERMIC
016	5.609.0345		1	Yes	1		ASSIEME SEDE TENUTA MOLLA/SFERA EASY STARTER X THERMIC ORIZZ. +OR