

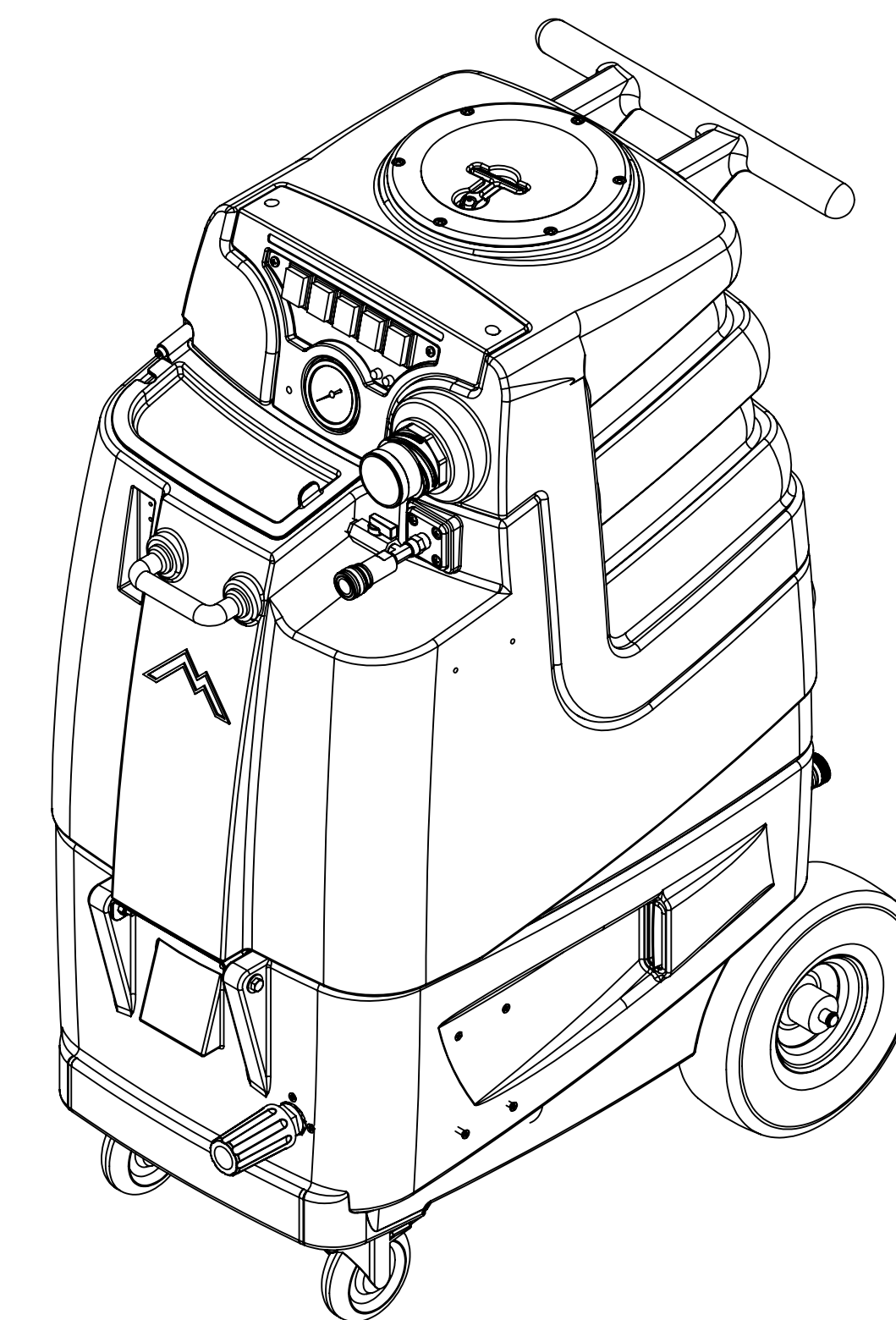
ITEM NO.	PART NO.	DESCRIPTION	QTY.
1	B160	adapter, brass, 1/2" barb x 3/8" fsw, ball end	3
2	B173	ferrule, 1/2", brass	8
3	PH615-37	sol hose, 1/2", 3045psi, black	1
4	H212	flat washer, 9/16"ID x 1 1/16"OD, AN960-C916	2
5	B199	coupler, 1/2" fpt x 1/4" fpt	3
6	B644	adapter, brass, 1/2" barb x 1/4" mpt	2
7	PH615-9	sol hose, 1/2", 3045psi, black	1
8	C381	pump out, 115v	1
9	H186	screw, 10-32 x 3/4, phil flat full thread	10
10	H210	washer, 1/4" flat, s/s	28
11	H273	nut, kep, # 10-32 zinc	20
12	H109	wheel, 10", foam filled	2
13	H042	c-clip, 12mm, external	2
14	H232	axle, 19.60" x .50"	1
15	P514	vent, side, LTD	2
16	H668	caster, 4", black hub & gray tread	2
17	H342	bolt, 1/4-20 x 1" hex head, s/s	8
18	H216	nut, lock, 1/4-20, nylon insert, s/s	14
19	B103	elbow, brass, 90 deg, 1/4"mpt x 1/4" fpt	5
20	H044	bracket, regulator, panel mount	1
21	B127	plug, brass, 1/4"mpt, hex	1
22	C313C	regulator, 450 psi, silver spring	1
23	B136	elbow, brass, 90 deg, 1/4" mpt x 1/4" mpt	1
24	AH184	hose, 3/8" x 14-1/2" (OAL), f	2
25	PH634-23	sol hose, 1/4", silicone braided, clear	1
26	B170	ferrule, 1/4" brass	3
27	B152	elbow, brass, 90 deg, 1/4" barb x 1/4" mpt	1
28	B109	adapter, brass, 1/4" barb x 1/4" mpt	1
29	P511	LX series base	1
30	H202	bolt, 1/4x20x3/4" hex head	4
31	B652	elbow, brass, 90 deg, 3/8"mpt x 1/4"mpt	2
32	B259A	qd, brass, 1/4" fqd x fpt	3
33	B260A	qd, brass, 1/4" mqd x fpt	3
34	B107	nipple, brass, 1/4"m, hex	7
35	B186	elbow, brass, 90 deg, 3/8"mpt x 3/8" fmpt	4
36	B105	bushing, brass, 3/8"mpt x 1/4"	2
37	B142	coupling, brass, 1/4" fpt x 1/4" fpt	2
38	PH615-8	sol hose, 1/2", silicone braided, clear	1
39	C313A	pump, CAT, 50-500 PSI, 120/240v	1
40	PH615-26	sol hose, 1/2", 3045psi, black	1
41	B123	adapter, brass, 1/2" barb x 1/4" fpt	1
42	H486	latch, front	2
43	H230	screw, 10-32 x 1/2" phil pan head, s/s	20
44	G068	bumper, 7/8" x 1/4" head	2
45	E564	controller, circuit light	1
46	H221	nut, lock, 1/2" steel	2
47	H220	fitting, strain relief, cord	2
48	E550	power cord, pigtail, 30', 12/3, black	2
49	E369	hour meter, panel mount, analog	1
50	B205B	QD, 1/2" npt x 3/4" mgh, pump-out	2
51	B204	qd, 3/4" female x female garden hose	2
52	B656A	ball valve, 1/2" m x 1/2" f	1
53	H039	plate, auto fill/ pump out	1
54	H231	screw, 10-32 x 1" phil pan head, s/s	2
55	H528	bracket, heater mounting, dual	1
56	AH156	hose, 3/8" x 6.5", (OAL), f x fsw, 5400 Gray	1
57	E571	heating rod, 600W, 115V	1
58	E574	Thermostat, 310°F ± 10°F, Manual, 1/4"	2
59	H274	screw, #6 x 3/16, phil pan head, self-tapping	10
60	E573	Thermostat, 200°, Auto, 1/4"	2
61	E519	heating rod, 1000W, 115V	1
62	H903A	heater, aluminum cast, single	2
63	G036	cap, 2.5" threaded, tethered	1
64	H299	washer, 11/16"ID x 1-1/2"OD x .075, s/s	9
65	B216	nipple, brass, 3/8" x close	2
66	B210	bushing, brass, 1/2"mpt x 3/8" fpt, hex	2

ITEM NO.	PART NO.	DESCRIPTION	QTY.
67	B119A	filter, strainer, 1/2"	1
68	B119	filter, strainer, 1/4"	1
69	H254	washer, axle, cut 1/2" id	2
70	B110	adapter, brass, 1/4" sw barb x 1/4" fpt, w/gasket	1
71	H201	bolt, 1/4-20 x 1/2", hex head, zinc	2
72	H213	washer, 1/4" lock, s/s	8
73	H378	bracket, front hinge, sp/fb	1
74	H204	bolt, 1/4-20 x 1 3/4" hex head, s/s	2
75	H485	handle, aluminum grip, black	1
76	G052	washer, buna 1-1/8" od x 3/16" id	2
77	H211	washer, 1/4"ID x 1"OD, flat, s/s	2
78	H768	bolt, 1/4-20 x 3/4" serrated hex flange, zinc	2
79	P509	LX series sol tank	1
80	H650	bolt, 5/16" shoulder x 1-1/2" lg, alloy	1
81	P513	solution tank lid, LTD	1
82	H390A	bracket, "L"	2
83	H770	bolt, 1/4-20 x 1/2" serrated hex flange, zinc	4
84	H124	Cuff-Lynx, 2" mpt x 2" female cuff	2
85	H484	plate, mounting, QD	1
86	B142A	coupling, brass, 1/4" fpt x 1/4" fpt	1
87	B135	tee, brass, 1/4" mpt	1
88	B656	ball valve, 1/4"	1
89	PH634-36	sol hose, 1/4", silicone braided, clear	1
90	B102	qd, brass, 1/4" f x 1/4" fpt	1
91	AH203	hose, pulse, 3/8" x 34"	1
92	H541A	valve, float, autofill	1
93	B198	adapter, 3/4" fgh x 1/2" mpt, w/ gasket	1
94	B167	street elbow, 1/2" fpt x 1/2" mpt	1
95	B303	nipple, 3" x 1/4" npt x 1/4" npt	3
96	P512	LX series switchbox	1
97	E511	light, red, 250v	2
98	E516	switch, rocker, 3 position	1
99	AH120	sol hose, 28" x 1/4", 1/4 fpt	1
100	H308D	gauge, pressure, 2000 PSI	1
101	E515	switch, rocker, 2 position	4
102	H075	plate, switch, ltd3	1
103	H031	plastite screw, 10 x 1"	2
104	H434	plug, vent, heyco, 1/2"	2
105	H135	Cuff-Lynx, 2" m cuff x 2" mpt	1
106	P510	LX series vac tank	1
107	H314	nut, lock, 1-1/2", steel	2
108	P520	adapter, pvc, 1-1/2" mpt x 1-1/2" fms	2
109	PH633-4	pipe, pvc, 1-1/2"	1
110	P503	adapter, 1.5" pvc, 45 deg, fslip x fslip	2
111	PH633-6 (LTD3)	pipe, pvc, 1.5"	1
112	PH633-03	pipe, pvc, 1-1/2"	1
113	H343	screw, #10 x 5/8" hex head, zinc	6
114	H304	screw, #8 x 5/8 phil oval, s/s	6
115	G090	lid, vac tank, clear, 7"	1
116	G091	gasket, 7", vac lid	1
117	P755	elbow, U, 180, 1-1/2", float	2
118	H490	float, 2" / 1.5" ball style	2
119	PH633-13	pipe, pvc, 1-1/2"	1
120	A926	elbow, inlet assembly 2"	1
121	H226	spout, drain, 45 degree	1
122	H225	valve, drain, 1-1/2"	1
123	H333	mesh filter, auto dump, 1/2" npt	1
124	H503	vac support, 3 stage, 3.25", no thrds	6
125	G004	gasket, vacuum motor	2
126	PH628-7 (LTD3)	vac hose, 2", black, wire reinforced	1
127	H217	clamp, hose, 2-1/4 dia	4
128	H194	coupler, 2" dia x 2.5" length, s/s	2
129	C302LA	vac motor, 3 stage, low amp	2
130	H096	bolt 1/4-20 x 4, s/s	6
131	B113	tee, brass, 1/4" fpt	1
132	B643	adapter, brass, 3/8" fnt x 1/4" mnpt	1

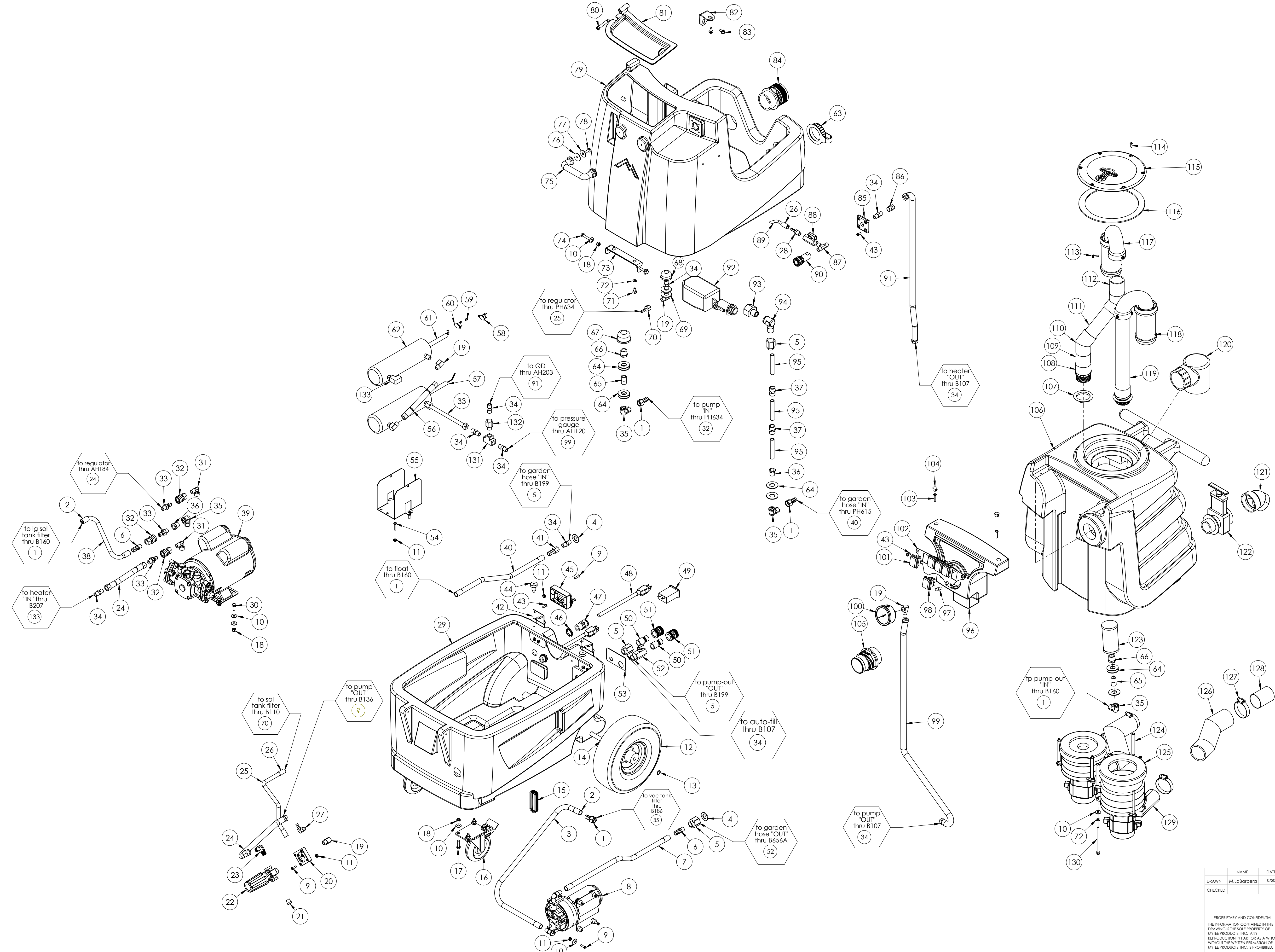
ITEM NO.	PART NO.	DESCRIPTION	QTY.
133	B207	elbow, brass, 90 deg, 1/4" fpt x 1/4" fpt	1

ITEMS NOT SHOWN

PART NO.	DESCRIPTION	QTY	MSRP
E354	harness, electrical	1	
E530	power cord, ext 50', 12/3, black	2	
G008	piglet filter	1	
G076	filter bag, 3.5" metal o-ring, mesh bag	1	
H110	Cuff-Lynx, 2" hose x 2" fem swivel	1	
H141	Cuff-Lynx, 2" x 1.5" reducer	1	
H230	screw, 10-32 x 1/2" phil pan head, s/s	2	
H375	hanger, wire formed, hose	1	
P568A	cord lock, S-type	2	
P590	cuties, 1/4" qd, standard pack of 2	1	

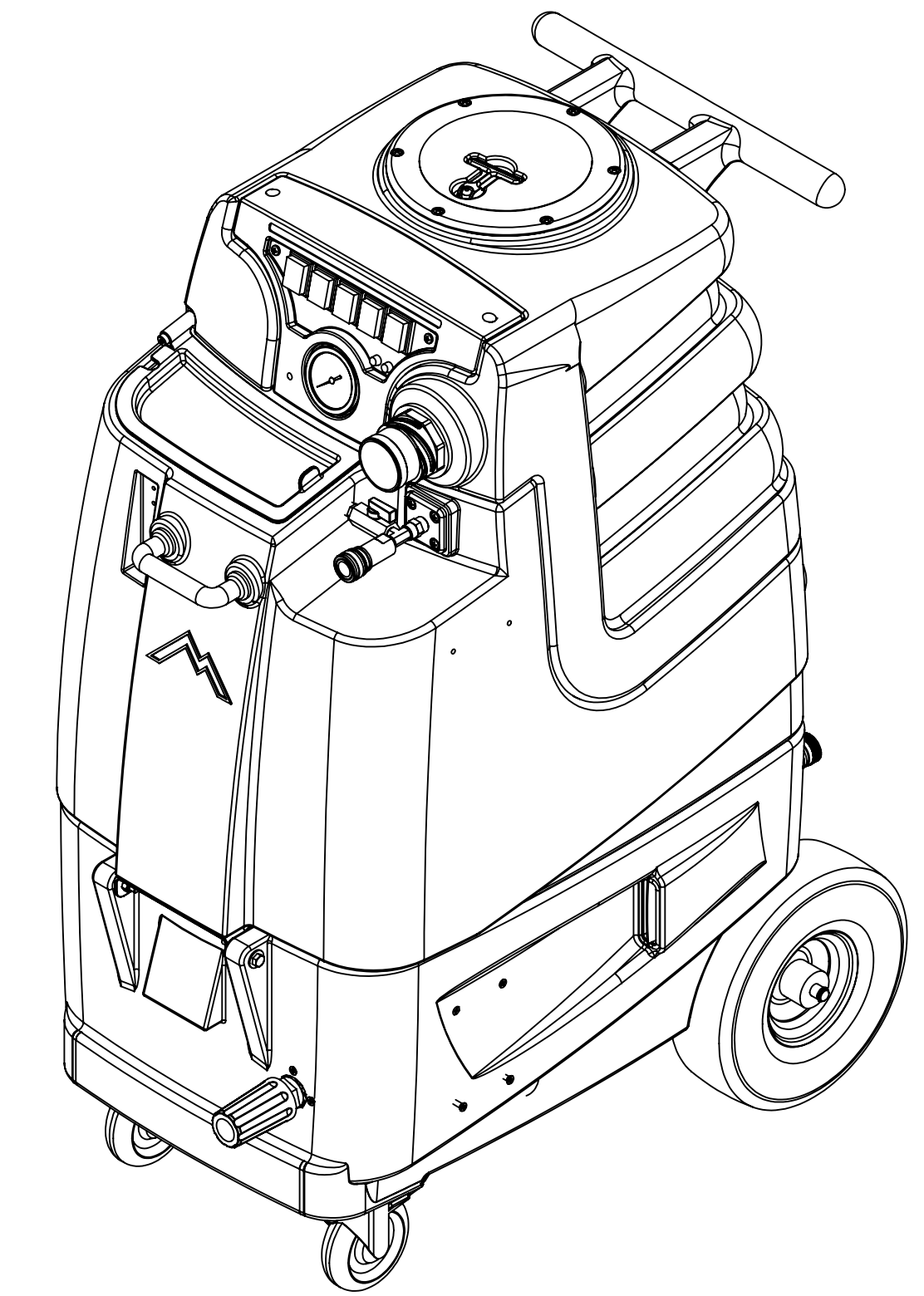


NAME	DATE	MYTEE PRODUCTS, INC. 888-679-1191
M.LaBarbera	10/2013	
DRAWN		TITLE:
CHECKED		speedster
PROPRIETARY AND CONFIDENTIAL	SIZE	DWG. NO.
THE INFORMATION CONTAINED IN THIS DRAWING IS THE SOLE PROPERTY OF MYTEE PRODUCTS, INC. ANY REPRODUCTION IN PART OR AS A WHOLE WITHOUT THE WRITTEN PERMISSION OF MYTEE PRODUCTS, INC. IS PROHIBITED.	D	LTD 3
	SCALE: 1:32	REV N
	DO NOT SCALE DRAWING	SHEET 1 OF 3



NAME	DATE	MYTEE PRODUCTS, INC. 888-679-1191
M.L. Barbera	10/2013	
DRAWN		TITLE:
CHECKED		speedster
PROPRIETARY AND CONFIDENTIAL THE INFORMATION CONTAINED IN THIS DRAWING IS THE SOLE PROPERTY OF MYTEE PRODUCTS, INC. ANY REPRODUCTION IN PART OR AS A WHOLE WITHOUT THE WRITTEN PERMISSION OF MYTEE PRODUCTS, INC. IS PROHIBITED.		SIZE DWG. NO. LTD 3
SCALE: 1:32 DO NOT SCALE DRAWING		REV N
		SHEET 2 OF 3

REVISIONS			
REV.	DESCRIPTION	DATE	APPROVED
OD	ORIGINAL DRAFT	-	JFL
A	-	-	JFL
B	-	-	JFL
C	REPLACED VAC STACK	6/2013	JFL
D	REPLACED G003 W G022	8/2013	JFL
E	CAT PUMP; UPDATED PLUMBING	9/2013	JFL
F	REPLACED H033 W H342, ADDED H210 & H216	10/8/2013	JFL
G	G021 REPLACED W G097	10/28/2013	JFL
H	UPDATED ITEMS NOT SHOWN	1/13/2014	JFL
I	REPLACED H347 W FERRULE	3/7/2014	ML
J	HOSE UPDATES	5/13/2014	ML
K	REPLACED H219 W H042	8/8/2014	ML
L	UPDATED HOSES	10/1/2014	ML
M	REMOVED ELECTRICAL FLOAT	3/9/2016	ML
N	REMOVED CHEMICAL INJECTOR	10/19/2014	ML



NAME	DATE	MYTEE PRODUCTS, INC. 888-679-1191	
DRAWN M.LaBarbera	10/2013	TITLE: speedster	
CHECKED		SIZE D	DWG. NO. LTD 3
<small>PROPRIETARY AND CONFIDENTIAL THE INFORMATION CONTAINED IN THIS DRAWING IS THE SOLE PROPERTY OF MYTEE PRODUCTS, INC. ANY REPRODUCTION IN PART OR AS A WHOLE WITHOUT THE WRITTEN PERMISSION OF MYTEE PRODUCTS, INC. IS PROHIBITED.</small>		REV N	SHEET 3 OF 3
		SCALE: 1:32	DO NOT SCALE DRAWING